

FOOTHILL SANITARY LANDFILL

Owned by San Joaquin County Since 1991, Operated by Foothill, Inc. Since 1965

PRICE SHEET - Effective January 1, 2025

SITE INFORMATION:

LOCATION: 6484 North Waverly Rd., (east of Linden); Linden, California 95236

PHONE: Site: (209) 887-3969

For questions regarding these rates, please call 209-468-3066.

HOURS: Monday – Saturday 7:00 a.m. to 5:00 p.m.
 (Operating hours will be strictly followed. No exceptions. No loads accepted after 4:45 p.m.)
Closed: Sundays, New Year’s Day, Thanksgiving Day, and Christmas Day

SIZE: 800 Acres CLOSURE: 2090
 Daily Peak Permitted Waste Quantity 1,500 Tons
 Annual Waste Received (2023) 325,695 Tons
 Average Daily Waste Received (2023) 1052 Tons

PREFERRED FORMS OF PAYMENT:

Credit or Debit cards, or business checks with preprinted business information only. **No cash accepted.**

ACCEPTABLE WASTE:

Commercial and household waste; agricultural waste; large dead animals; white goods such as refrigerators, freezers, and air conditioning units; tires; small pickup loads of soil or gravel; large bulky items/hard-to-handle materials. Oil filters (Limit 12).

UNACCEPTABLE WASTE:

Septic tank waste; toxic materials; drums larger than 5 gallons; infectious waste; liquid waste; cannery waste; hazardous waste; ammonia refrigerant units; large loads of soil or gravel; burned wastes.

RATES

Customers with UNCOVERED/UNSECURED LOADS must pay a double disposal fee or purchase a tarp.

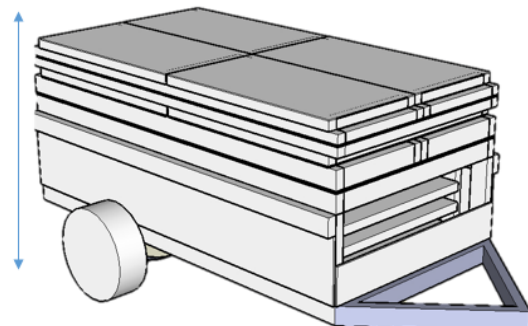
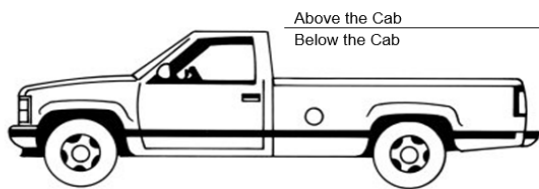
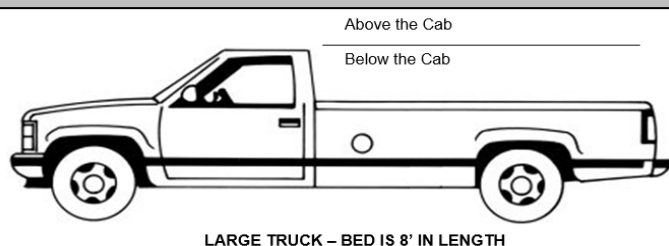
VEHICLE RATES/MINIMUM FEES: (Based on vehicle type and not on the amount of refuse contained in vehicle)

Automobiles.....	\$14.00
Pickups with bed less than 8’ in length (if load is at or below cab level).....	\$16.50
Pickups with bed less than 8’ in length (if load is above cab level).....	\$21.00
Pickups with bed 8’ in length (if load is at or below cab level).....	\$22.00
Pickups with bed 8’ in length (if load is above cab level).....	\$31.50
Trailers 8’ or less in length (if load is at or below cab level).....	\$22.00
Trailers 8’ or less in length (if load is above cab level).....	\$31.50
Vans 8’ or less in length (from the last seat to the rear of the van)	\$19.75

ALL OTHER VEHICLES:

Vehicles Charged by Weight (Per Ton) \$46.14 per ton (Minimum charge at \$22.00)

Vehicles Charged by Cubic Yard (when scales are down)..... \$15.50 per Cubic Yard



6’ - 8’ IN HEIGHT=Below Cab
 8’ - 10’ IN HEIGHT=Above Cab
 LESS THAN OR EQUAL TO 8’
 LENGTH*

≥10’ IN HEIGHT = CHARGED BY
 WEIGHT
 GREATER THAN 8’ LENGTH*

*All Trailers Over 8’ In Any Direction
 Charged By Weight

FOOTHILL SANITARY LANDFILL RATES (Continued)

SPECIAL CHARGES (Proof of San Joaquin County Residency is required for special waste at no charge)

Tires

Motorcycle Tires.....	Mounted \$7.25 ea./Unmounted \$6.25 ea.
Passenger Tires or Smaller.....	Mounted \$7.25 ea./Unmounted \$6.25 ea.
Truck Tires.....	Mounted \$11.75 ea./Unmounted \$9.75 ea.
Residents: Motorcycle, passenger, small truck tires	Four (4) Per Trip @ No Charge
Truck Tires: Larger than 12.00 x 24	\$17.50 ea.
Farm Tractor Tires: No larger than 17.5 x 24	\$19.75 ea.
Loader Tires: No larger than 23.5 x 25	\$164.00 ea.
Earth Moving Tires: Larger than 23.5 x 25	\$492.25 ea.

Appliances (e.g., A/C Units, Freezers, Refrigerators)

Residents:.....	Two (2) Per Trip @ No Charge
Residents: Additional or Unemptied units per load, any combination.....	\$19.25 ea.
Businesses/Non-Residents: Units per load, any combination.....	\$19.25 ea.

E-Waste (e.g., TVs/CRTs/Computer Monitors)

Residents:	Four (4) Per Trip @ No Charge
Residents: Additional units per load, any combination	\$23.00 ea.
Businesses/Non-Residents: Units per load, any combination.....	\$23.00 ea.

Mattress or Box Spring

Residents:.....	Ten (10) Per Trip @ No Charge
Residents: Additional units per load.....	\$19.25 ea.
Businesses/Non-Residents: Normal weighed waste fees apply to entire load, up to limit of 30 units	\$46.14 per ton. (Minimum charge at \$22.00)

SPECIAL HANDLING FEES:

Large Bulky Items/Hard-to-Handle \$119.83 per ton. (Minimum charge at \$22.00)

Items including but not limited to: RV trailers, mobile homes, (remove all appliances and thermostats, dismantle the camper/trailer/vehicle into small sections, and bring a Junk Slip from DMV), boats, large concrete, wire, tree stumps, large/long pipes, drip hoses, large wooden/metal beams, treated wood, and creosote coated wood.

Dead Animals \$130.73 per ton. (Minimum charge at \$22.00)

Environmental Health Permit/Waiver may be required (Call 209-468-3420), must call site in advance.

(For more information, please visit the County's website at www.SJCrecycle.org)