

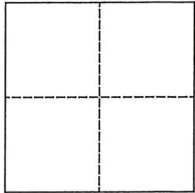
CORNER RECORD

Agency Index CR-21-135
 Document Number _____

City of _____ County of San Joaquin, California

Brief Legal Description Shaylynn Court 145'± south of Emerson Drive

Within Sec. 12, T4N, R6E, Mount Diablo Base & Meridian



CORNER TYPE

COORDINATES (Optional)

Government Corner Control Elevation. _____
 Meander Property Units Metric U.S. Survey Foot
 Rancho Other Horizontal Datum _____
 Date of Survey November 22, 2019 Zone _____ Epoch Date _____
 Vertical Datum _____
 Complies with Public Resources Code §§8801-8819
 Complies with Public Resources Code §§8890-8902

PLS Act Ref.: 8765(d) 8771 8773 Other:

Corner/Monument: Left as found Established Rebuilt Pre-Construction
 Found and tagged Reestablished Referenced Post-Construction

Narrative of corner identified and monument as found, set, reset, replaced, or removed:

See sheet #2 for description(s):

SURVEYOR'S STATEMENT

This Corner Record was prepared by me or under my direction in conformance with
 the Professional Land Surveyor's Act on September 20, 2020

Signed James E. Hart P.L.S. or R.C.E. No. 8657



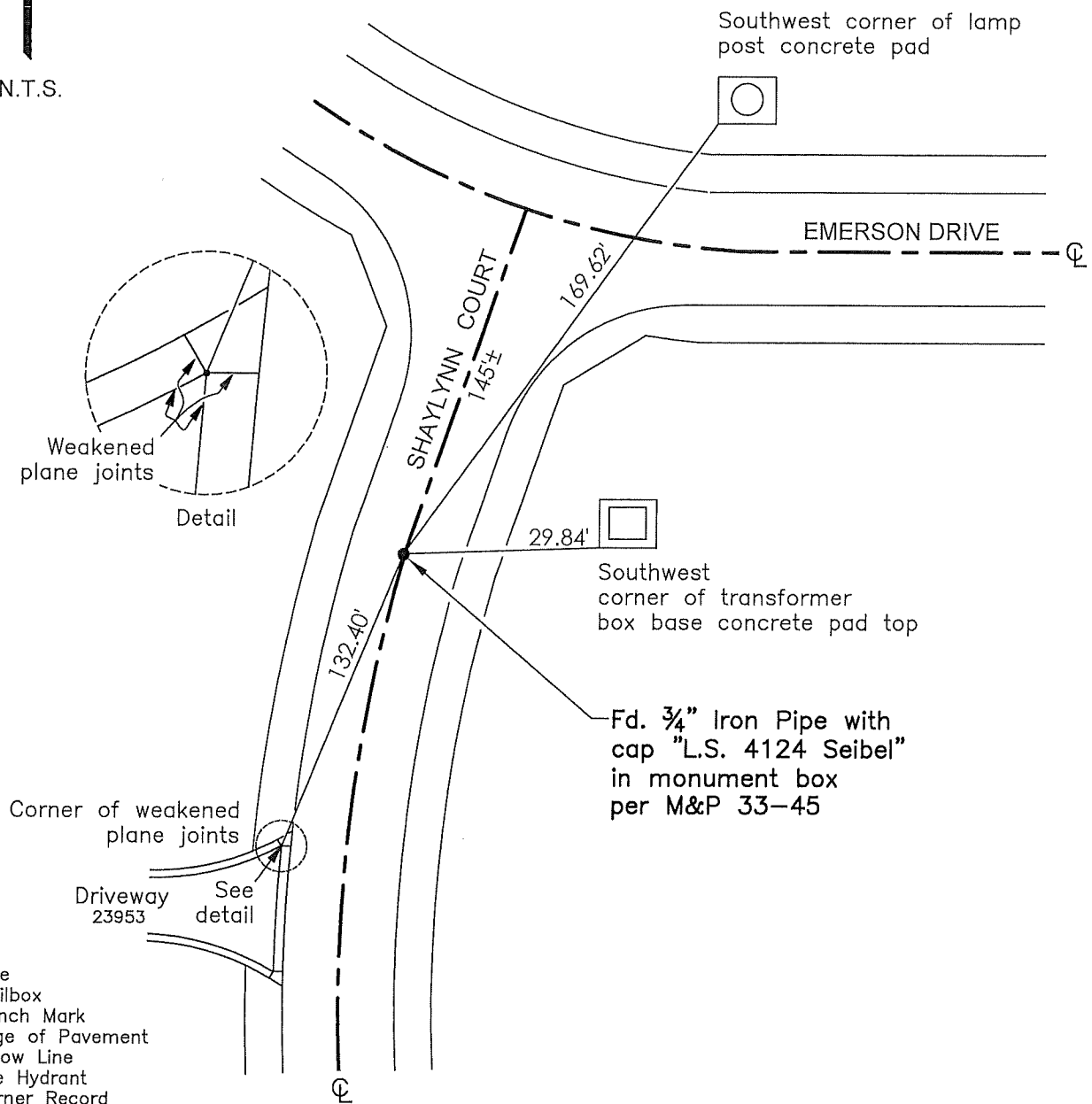
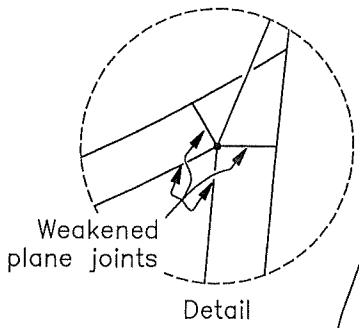
COUNTY SURVEYOR'S STATEMENT

This Corner Record was received August 26, 2021
 and examined and filed September 22, 2021

Signed James E. Hart P.L.S. or R.C.E. No. 8657
 Title County Surveyor

County Surveyor's Comment





- TR=Tree
- MB=Mailbox
- BM=Bench Mark
- EP=Edge of Pavement
- YL=Yellow Line
- FH=Fire Hydrant
- CR=Corner Record
- FP=Fence Post
- JP=Joint Pole
- LP=Light Pole
- PP=Power Pole
- GP=Guy Pole
- SP=Service Pole
- TP=Telephone Pole
- S.F.N.=Searched Found Nothing
- N.T.S.=Not To Scale
- M&P=Maps & Plats
- PM=Parcel Map
- RS=Record of Survey
- FB=Field Book
- N=North
- SDI=Storm Drain Inlet
- TOC=Top of Curb
- PCC=Portland Cement Concrete

Set=Conc. Nail with Brass Washer stamped "S.J. Co.", unless otherwise noted
 Fd.=Found Conc. Nail with Brass Washer stamped "S.J. Co.", unless otherwise noted
 Note: Found Monuments are not tagged unless otherwise noted.

"No attempt was made to verify the Monument(s)"