

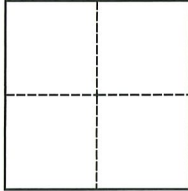
CORNER RECORD

Agency Index CR-20-159
 Document Number _____

City of _____ County of San Joaquin, California
 Brief Legal Description S.E. Cor. of Lot 11, M. & P. 13-26, S.J.C.R.

CORNER TYPE

COORDINATES (Optional)



Government Corner Control
 Meander Property
 Rancho Other
 Date of Survey May 12, 2020

N. _____ E. _____
 Elevation _____
 Units Metric U.S. Survey Foot
 Horizontal Datum _____
 Zone _____ Epoch Date _____
 Vertical Datum _____

Sec. 35, C.M. Weber Grant

Complies with Public Resources Code §§8801-8819
 Complies with Public Resources Code §§8890-8902

PLS Act Ref.: 8765(d) 8771 8773 Other:
 Corner/Monument: Left as found Established Rebuilt Pre-Construction
 Found and tagged Reestablished Referenced Post-Construction

Narrative of corner identified and monument as found, set, reset, replaced, or removed:
 See sheet #2 for description(s):

SURVEYOR'S STATEMENT

This Corner Record was prepared by me or under my direction in conformance with
 the Professional Land Surveyors' Act on 8-19-2020

Signed Michael L. Quarantoni P.L.S. or R.C.E. No. L.S. 4450



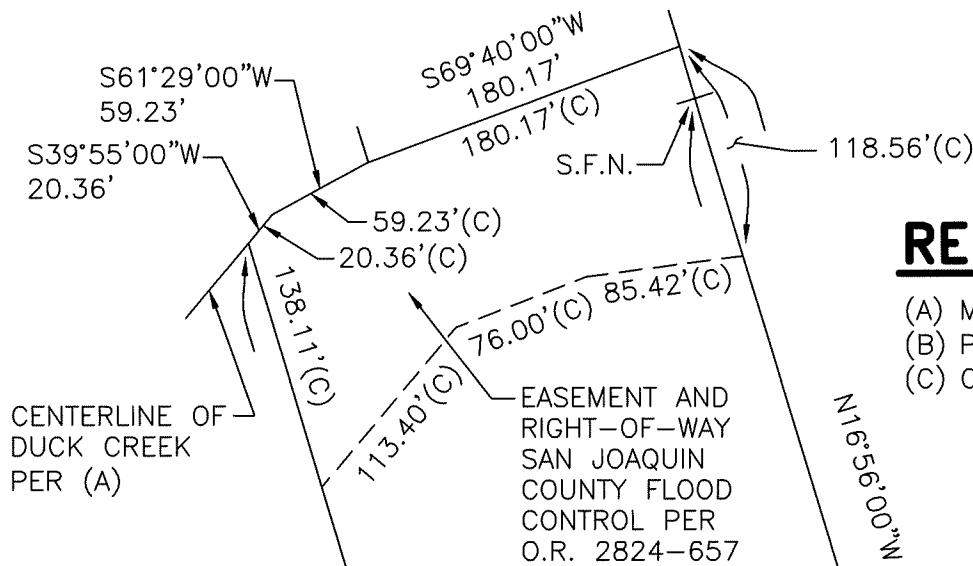
COUNTY SURVEYOR'S STATEMENT

This Corner Record was received August 24, 2020
 and examined and filed September 3, 2020

Signed James E. Hart P.L.S. or R.C.E. No. 8657
 Title County Surveyor

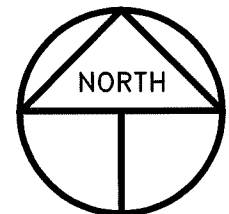


County Surveyor's Comment



REFERENCES

- (A) M. & P. 13-26, S.J.C.R.
- (B) P.M. 7-93, S.J.C.R.
- (C) O.R. 2824-657, S.J.C.R.



SCALE: 1" = 100'
2020-125

NOTE

ALL BEARINGS AND DISTANCES ARE PER (A), EXCEPT WHERE (C) IS USED

LEGEND

- INDICATES FOUND MONUMENT AS NOTED
- S.J.C.R. INDICATES SAN JOAQUIN COUNTY RECORDS
- P.M. INDICATES PARCEL MAP, BOOK AND PAGE, S.J.C.R.
- M. & P. INDICATES MAPS AND PLATS, VOLUME AND PAGE, S.J.C.R.
- S.F.N. INDICATES SEARCHED FOUND NOTHING
- O.R. INDICATES OFFICIAL RECORDS, BOOK AND PAGE, S.J.C.R.