

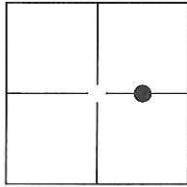
# CORNER RECORD

Agency Index: CR-19-02

Document Number: \_\_\_\_\_

City of MANTECA County of SAN JOAQUIN, California

Brief Legal Description MONUMENTS ALONG THE CENTERLINE AND SOUTH RIGHT-OF-WAY OF SOUTHLAND ROAD LOCATED IN THE EAST HALF OF SECTION 28, T.1S, R.7E, M.D.B.&M



SEC. 28  
T.1S, R.7E

### CORNER TYPE

- Government Corner  Control   
 Meander  Property   
 Rancho  Other

Date of Survey 2-12-2018

### COORDINATES (Optional)

N. \_\_\_\_\_ E. \_\_\_\_\_  
 Elevation: \_\_\_\_\_  
 Units Metric  U.S. Survey Foot   
 Horizontal Datum: \_\_\_\_\_  
 Zone: \_\_\_\_\_ Epoch Date: \_\_\_\_\_  
 Vert. Datum: \_\_\_\_\_

- Complies with Public Resources Code SS8801-8819  
 Complies with Public Resources Code SS8890-8902

PLS Act Ref:  8765(d)  8771  8773  Other:

Corner/Monument:  Left as found  Established  Rebuilt  Pre-Construction  
 Found and Tagged  Reestablished  Referenced  Post-Construction

Narrative of corner identified and monument as found, set, reset, replaced, or removed:

See sheet #2 for description(s):

FOUND 3/4" REBAR IN MONUMENT WELL AT THE CENTERLINE INTERSECTION OF SOUTHLAND ROAD AND MITCHELL ROAD PER 25-S-49, S.J.C.R. AND FOUND 3/4" IRON PIPE PER 12-S-91, S.J.C.R., NOT TAGGED, LOCATED IN THE EAST HALF OF SECTION 28, T.1S, R.7E, M.D.B.&M.  
SET THREE (3) CONCRETE NAILS WITH BRASS TAG "LS 6953" AS WITNESS CORNERS, ALL AS SHOWN ON PAGE 2.

### SURVEYOR'S STATEMENT

This Corner Record was prepared by me or under my direction in conformance with the Land Surveyors' Act on OCTOBER 05, 2018,



Signed [Signature] P.L.S. or R.C.E. Number 6953

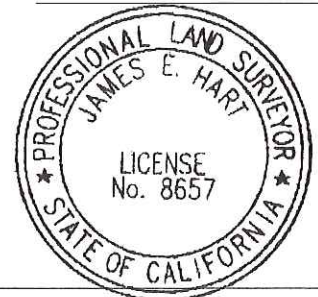
### COUNTY SURVEYOR'S STATEMENT

This Corner Record was received January 7, 2019 and examined and filed January 16, 2019

Signed James E. Hart P.L.S. or R.C.E. No: 8657

Title Acting County Surveyor

County Surveyor's Comment \_\_\_\_\_

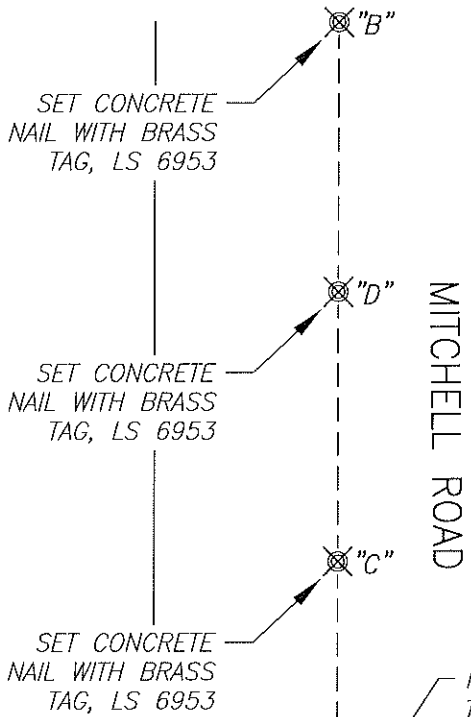
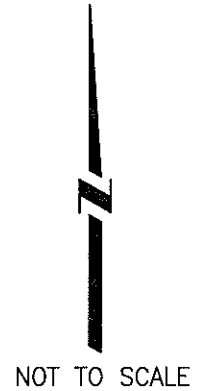


**LEGEND:**

- ⊗ SET MONUMENT AS NOTED.
- FOUND MONUMENT AS NOTED.
- S DENOTES RECORD OF SURVEY
- MP DENOTES MAPS AND PLATS
- (M) MEASURED DISTANCE. ALL DISTANCES ARE MEASURED UNLESS NOTED OTHERWISE.
- S.J.C.R. SAN JOAQUIN COUNTY RECORDS

**REFERENCES:**

- (R1) 25-S-49, S.J.C.R.
- (R2) 12-S-91, S.J.C.R.



MITCHELL ROAD

FOUND 3/4" REBAR WITH BRASS TAG, LS 2368, IN MONUMENT WELL (ORIGIN UNKNOWN)  
[3/4" REBAR WITH BRASS TAG, RCE 8714(R1)]

SOUTHLAND ROAD

FOUND 3/4" IRON PIPE (R2), NO TAG

"F"  
FOUND 3/4" IRON PIPE (R2), NO TAG

LOT 52  
3-MP-19

LOT 53  
3-MP-19

X AND DISTANCE TABLE		
BS-@-FS	X	FS DISTANCE
B-A-B	00°00'00"	375.15'(M)
B-A-C	00°00'00"	124.94'(M)
B-A-D	00°00'00"	250.26'(M)
B-A-E	95°38'27"	333.21'(M)
B-A-F	215°31'55"	31.88'(M)