

CORNER RECORD

Agency Index CR-17-172

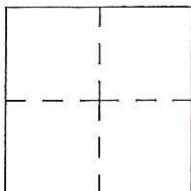
Document Number _____

City of _____ County of San Joaquin, California

Brief Legal Description WISCONSIN AVENUE @ SONOMA AVENUE
Within Section 5, Township 1 North, Range 6 East, Mount Diablo Base & Meridian

CORNER TYPE

COORDINATES (Optional)



- Government Corner Control
- Meander Property
- Rancho Other

N. _____ E. _____

Elevation. _____

Units Metric U.S. Survey Foot

Horizontal Datum _____

Zone _____ Epoch Date _____

Vertical Datum _____

Date of Survey June 06, 2017

Complies with Public Resources Code §§8801-8819

Complies with Public Resources Code §§8890-8902

PLS Act Ref.: 8765(d) 8771 8773 Other:

Corner/Monument: Left as found Established Rebuilt Pre-Construction

Found and tagged Reestablished Referenced Post-Construction

Narrative of corner identified and monument as found, set, reset, replaced, or removed:

See sheet #2 for description(s).

SURVEYOR'S STATEMENT

This Corner Record was prepared by me or under my direction in conformance with

the Professional Land Surveyor's Act on June 12, 2017

Signed [Signature] P.L.S. or R.C.E. No. 8657



COUNTY SURVEYOR'S STATEMENT

This Corner Record was received June 16, 2017

and examined and filed July 10, 2017

Signed [Signature] P.L.S. or R.C.E. No. 4842

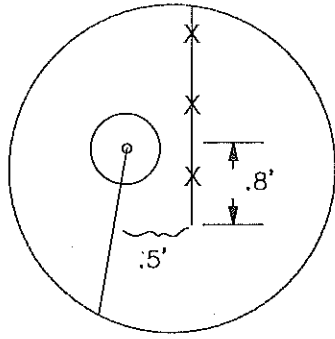
Title County Surveyor

County Surveyor's Comment





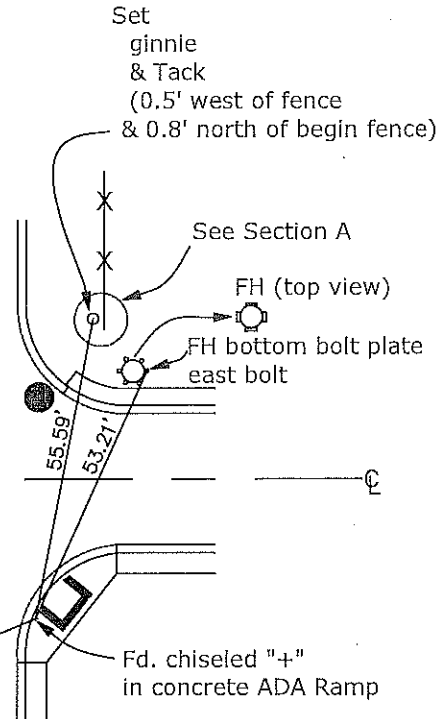
N.T.S.



Section A

SONOMA AVENUE

WISCONSIN AVENUE



See Section A

FH (top view)

FH bottom bolt plate east bolt

Set ginnie & Tack
(0.5' west of fence & 0.8' north of begin fence)

Fd. chiseled "+" in concrete ADA Ramp

Set PP

- FH=Fire Hydrant
- CR=Corner Record
- FP=Fence Post
- JP=Joint Pole
- LP=Light Pole
- PP=Power Pole
- GP=Guy Pole
- SP=Service Pole
- TP=Telephone Pole
- S.F.N.=Searched Found Nothing
- N.T.S.=Not To Scale
- M&P=Maps & Plats
- PM=Parcel Map
- RS=Record of Survey
- FB=Field Book
- N=North
- DI=Drain Inlet
- TOC=Top of Curb

Set=Conc. Nail with Brass Washer Stamped "S.J. Co.", unless otherwise noted
 Fd.=Found Conc. Nail with Brass Washer Stamped "S.J. Co.", unless otherwise noted
 Note: Found Monuments are not tagged unless otherwise noted.

"No Attempt Was Made to Verify the Monument(s)"