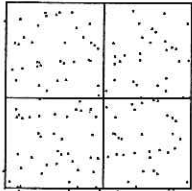


CORNER RECORD

Document Number CR-16-394  
County of San Joaquin, California

City of \_\_\_\_\_

Brief Legal Description KOONTZ ROAD 2351' ± SOUTH OF WALNUT GROVE ROAD  
( Within Section 3, Township 4 North, Range 5 East, Mount Diablo Base & Meridian)



CORNER TYPE

- Government Corner  Control
- Meander  Property
- Rancho  Other

Date of Survey September 9, 2016

COORDINATES (Optional)

N. \_\_\_\_\_  
 E. \_\_\_\_\_  
 Zone \_\_\_\_\_ NAD27  NAD83   
 NAD83 Epoch \_\_\_\_\_  
 Elev. \_\_\_\_\_  
 Vert. Datum: NGVD29  NAVD88   
 Meas. Units: Metric  Imperial

Corner - Left as found  Found and tagged  Established  Reestablished  Rebuilt

Identification and type of corner found: Evidence used to identify or procedure used to establish or reestablish the corner:  
SEE SKETCH ON BACKSIDE.

A description of the physical condition of the monument as found and as set or reset:  
SEE SKETCH ON BACKSIDE.

SURVEYOR'S STATEMENT

This Corner Record was prepared by me or under my direction in conformance with the Land Surveyors' Act on September 19, 2016.

Signed James E. Hart P.L.S. Number 8657

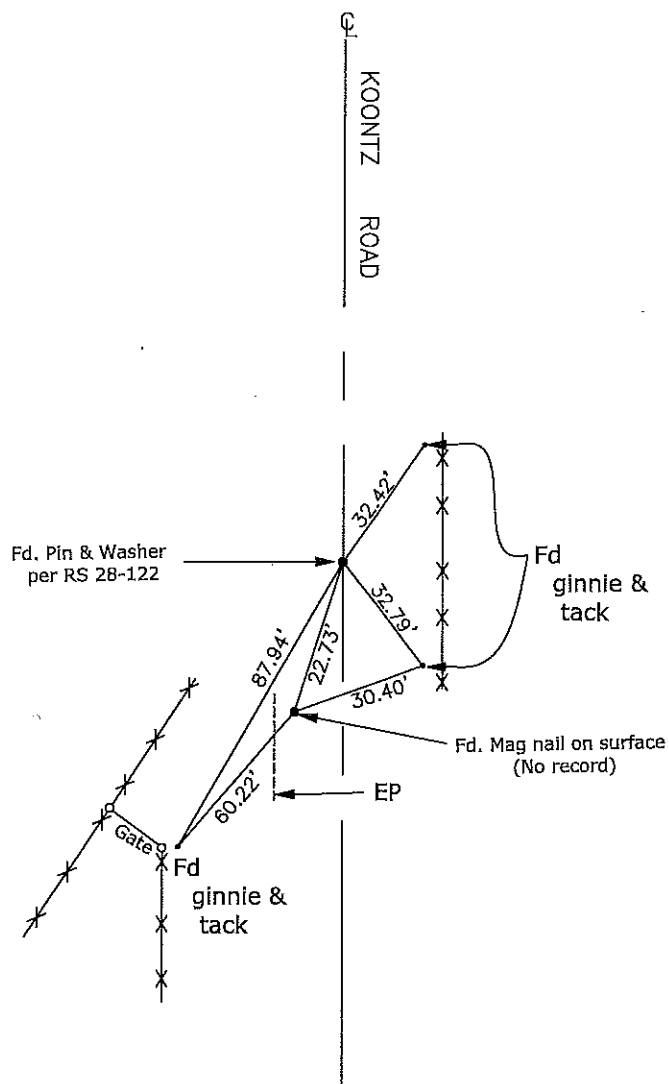
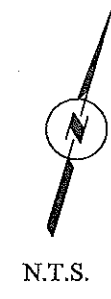
COUNTY SURVEYOR'S STATEMENT

This Corner Record was received September 19, 2016 and examined and filed September 29, 2016.

Signed Warren D. Smith P.L.S. No. 4842  
Title County Surveyor

County Surveyor's Comment \_\_\_\_\_





Note: Found Monuments are not tagged unless otherwise noted.

"No Attempt Was Made to Verify the Monument(s)"

Set=Conc. Nail with Brass Washer Stamped

"S.J. Co.", unless otherwise noted

Fd.=Found Conc. Nail with Brass Washer Stamped

"S.J. Co.", unless otherwise noted

CR=Corner Record

FP=Fence Post

JP=Joint Pole

LP=Light Pole

PP=Power Pole

GP=Guy Pole

SP=Service Pole

TP=Telephone Pole

S.F.N.=Searched Found Nothing

N.T.S.=Not To Scale

M&P=Maps & Plats

PM=Parcel Map

RS=Record of Survey

FB=Field Book

EP=Edge of Pavement