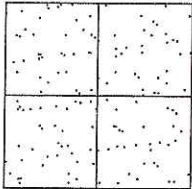


CORNER RECORD

Document Number CR-15-298
County of San Joaquin, California

City of _____

Brief Legal Description PELTIER ROAD 1845' +/- EAST OF MAY ROAD
(ON SECTION 15 SOUTH LINE, TOWNSHIP 4 NORTH, RANGE 6 EAST, MOUNT DIABLO BASE & MERIDIAN)



CORNER TYPE

- Government Corner Control
- Meander Property
- Rancho Other

Date of Survey December 2, 2015

COORDINATES (Optional)

N. _____
 E. _____
 Zone _____ NAD27 NAD83
 NAD83 Epoch _____
 Elev. _____
 Vert. Datum: NGVD29 NAVD88
 Meas. Units: Metric Imperial

Corner - Left as found Found and tagged Established Reestablished Rebuilt

Identification and type of corner found: Evidence used to identify or procedure used to establish or reestablish the corner:
SEE SKETCH ON BACKSIDE.

A description of the physical condition of the monument as found and as set or reset:
SEE SKETCH ON BACKSIDE.

SURVEYOR'S STATEMENT

This Corner Record was prepared by me or under my direction in conformance with the Land Surveyors' Act on December 10, 2015.

Signed James E. Hart P.L.S. Number 8657

COUNTY SURVEYOR'S STATEMENT

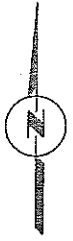
This Corner Record was received December 11, 2015 and examined and filed December 22, 2015.

Signed Warren D. Smith P.L.S. No. 4842

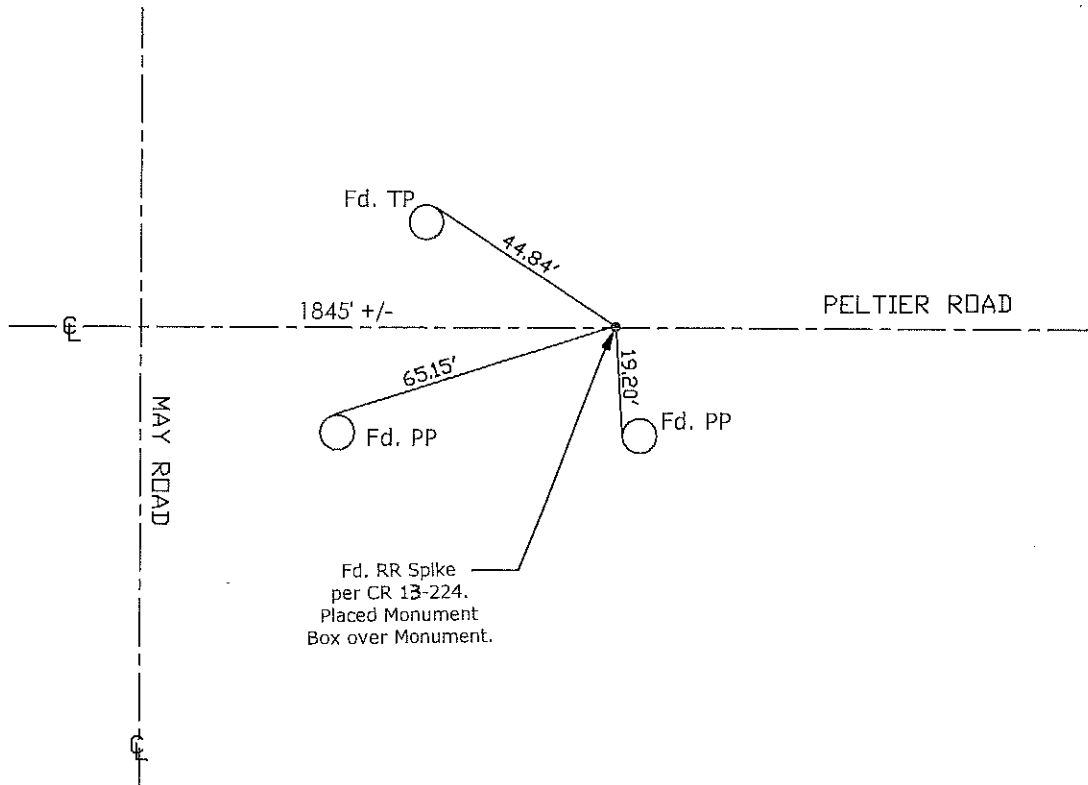
Title Acting County Surveyor

County Surveyor's Comment _____





N.T.S.



Note: Found Monuments are not tagged unless otherwise noted.

"No Attempt Was Made to Verify the Monument(s)"

- Set=Conc. Nail with Brass Washer Stamped
- "S.J. Co.", unless otherwise noted
- Fd.=Found Conc. Nail with Brass Washer Stamped
- "S.J. Co.", unless otherwise noted
- CR=Corner Record
- FP=Fence Post
- JP=Joint Pole
- LP=Light Pole
- PP=Power Pole
- GP=Guy Pole
- SP=Service Pole
- TP=Telephone Pole
- S.F.N.=Searched Found Nothing
- N.T.S.=Not To Scale
- M&P=Maps & Plats
- PM=Parcel Map
- RS=Record of Survey
- FB=Field Book