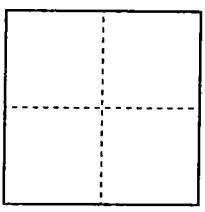


CORNER RECORD

City of STOCKTON

Document Number 01-101
County of San Joaquin, California

Brief Legal Description The northerly lot corners of Lots 180 thru 195, inclusive, as shown on the final map of "The Villages, Unit No. 14, filed for record in Book 28 of Maps and Plats, at page 33, San Joaquin County Records.



CORNER TYPE

Government Corner	<input type="checkbox"/>	Control	<input type="checkbox"/>
Meander	<input type="checkbox"/>	Property	<input checked="" type="checkbox"/>
Rancho	<input type="checkbox"/>	Other	<input type="checkbox"/>

Date of Survey March 13, 2001

COORDINATES (Optional)

N. _____
 E. _____
 Zone _____ NAD27 NAD83
 NAD83 Epoch _____
 Elev. _____
 Vert. Datum: NGVD29 NAVD88
 Meas. Units: Metric Imperial

Corner - Left as found Found and tagged Established Reestablished Rebuilt

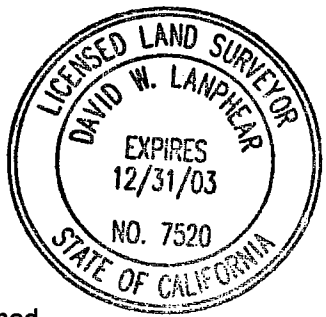
Identification and type of corner found: Evidence used to identify or procedure used to establish or reestablish the corner:
Searched for rear lot corners of Lots 180 thru 195, found nothing. Found 3/4" iron pin in monument well on the centerline of 72-foot wide Lorraine Avenue and 3/4" pin on the easterly right-of-way line of 60-foot wide Village Green Drive per the final map of said "The Villages, Unit No. 14". Set said rear lot corners online between found monuments at record distances.

A description of the physical condition of the monument as found and as set or reset: Set 3/4" by 30" long iron pins with plastic cap stamped "L.S. 7520"

SURVEYOR'S STATEMENT

This Corner Record was prepared by me or under my direction in conformance with the Land Surveyors' Act on March 20, 2001.

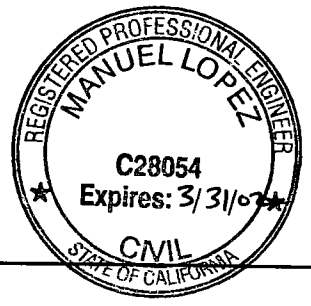
Signed David W. Lanphear L.S. 7520



COUNTY SURVEYOR'S STATEMENT

This Corner Record was received MARCH 22, 2001 and examined and filed MARCH 26, 2001.

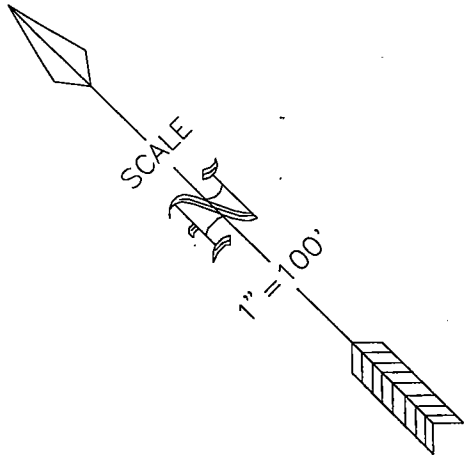
Signed Manuel Lopez R.C.E. No. 28054
Title County Surveyor



County Surveyor's Comment _____

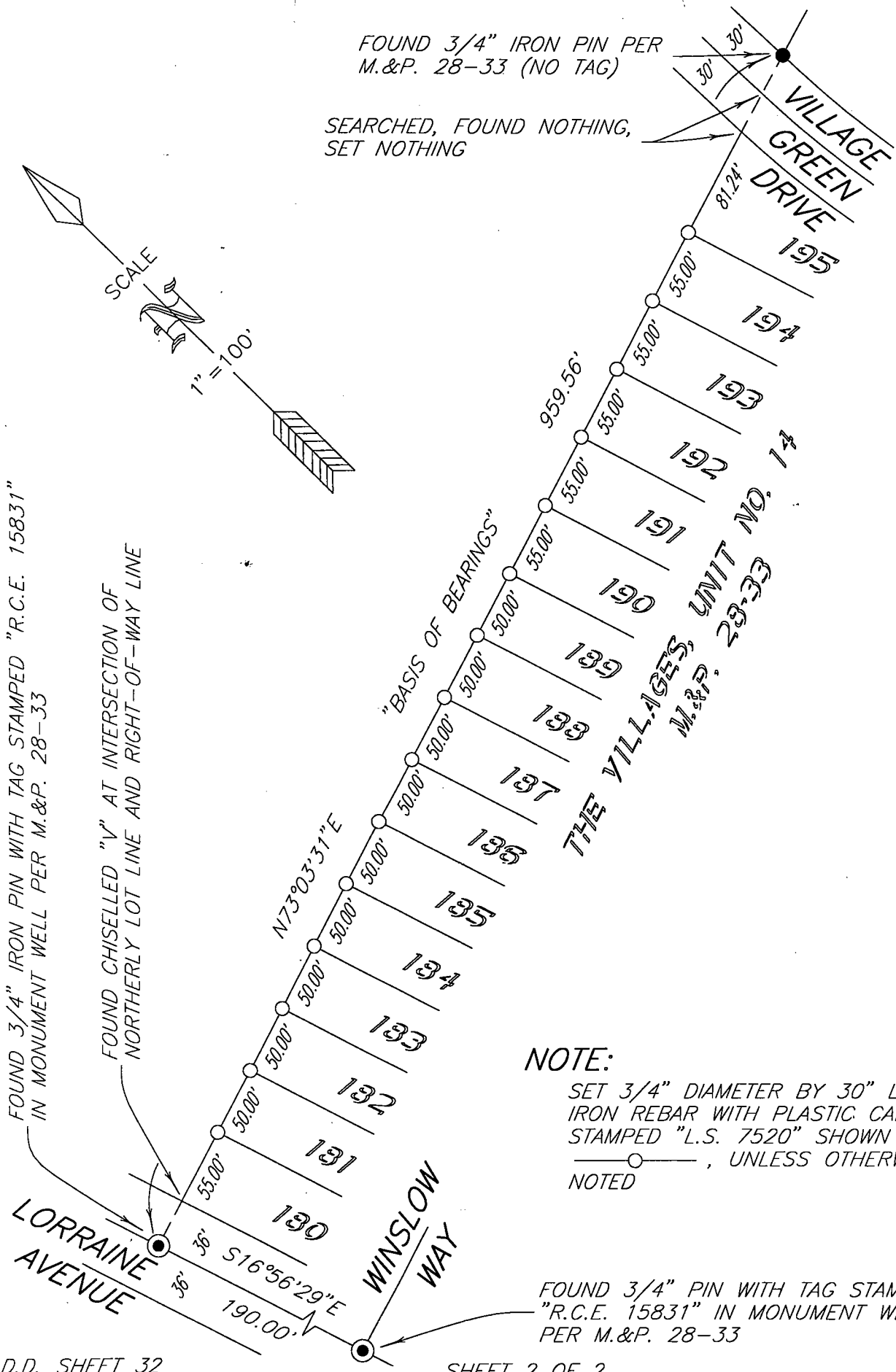
FOUND 3/4" IRON PIN PER
M.&P. 28-33 (NO TAG)

SEARCHED, FOUND NOTHING,
SET NOTHING



FOUND 3/4" IRON PIN WITH TAG STAMPED "R.C.E. 15831"
IN MONUMENT WELL PER M.&P. 28-33

FOUND CHISELLED "V" AT INTERSECTION OF
NORTHERLY LOT LINE AND RIGHT-OF-WAY LINE



NOTE:

SET 3/4" DIAMETER BY 30" LONG
IRON REBAR WITH PLASTIC CAP
STAMPED "L.S. 7520" SHOWN THUS
○, UNLESS OTHERWISE
NOTED

FOUND 3/4" PIN WITH TAG STAMPED
"R.C.E. 15831" IN MONUMENT WELL
PER M.&P. 28-33