

# CORNER RECORD

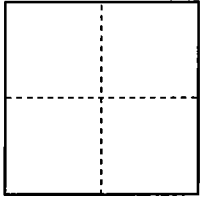
Document Number CR-99-16  
County of San Joaquin, California

City of \_\_\_\_\_

Brief Legal Description The northwesterly corner of that certain 5.00 acre parcel of land as shown on that Map of Survey filed in Book 22 of Surveys, at Page 184, San Joaquin County Records.

### CORNER TYPE

### COORDINATES (Optional)



Government Corner	<input type="checkbox"/>	Control	<input type="checkbox"/>
Meander	<input type="checkbox"/>	Property	<input checked="" type="checkbox"/>
Rancho	<input type="checkbox"/>	Other	<input type="checkbox"/>

Date of Survey August 6, 1999

N. \_\_\_\_\_  
 E. \_\_\_\_\_  
 Zone \_\_\_\_\_ NAD27  NAD83   
 NAD83 Epoch \_\_\_\_\_  
 Elev. \_\_\_\_\_  
 Vert. Datum: NGVD29  NAVD88   
 Meas. Units: Metric  Imperial

Corner - Left as found  Found and tagged  Established  Reestablished  Rebuilt

Identification and type of corner found: Evidence used to identify or procedure used to establish or reestablish the corner:  
Found 1" iron pipes on westerly right-of-way line of Kaiser Road per R.S. 30-80. Searched for northwesterly corner of 5.00 acre parcel of land shown on R.S. 22-184, found nothing. Set monument at northwesterly corner per record bearing and distance shown on R.S. 30-80 from northeasterly corner of said 5.00 acre parcel of land. Searched for southwesterly corner of said 5.00 acre parcel, found 3/4" rebar tagged "LS 4124" per R.S. 30-80. Checked angle and distance to found southwesterly corner. Measurements agreed with record data per R.S. 30-80.

A description of the physical condition of the monument as found and as set or reset: 3/4" by 30" long iron pin with plastic cap stamped "R.C.E. 15831"

### SURVEYOR'S STATEMENT

This Corner Record was prepared by me or under my direction in conformance with the Land Surveyors' Act on September 1, 1999.

Signed Albert R. Sanguinetti R.C.E. Number 15.831



### COUNTY SURVEYOR'S STATEMENT

This Corner Record was received September 7, 1999 and examined and filed September 15, 1999.

Signed Henry M. Hirata R.C.E. No. 21258  
Title \_\_\_\_\_ County Surveyor



County Surveyor's Comment \_\_\_\_\_

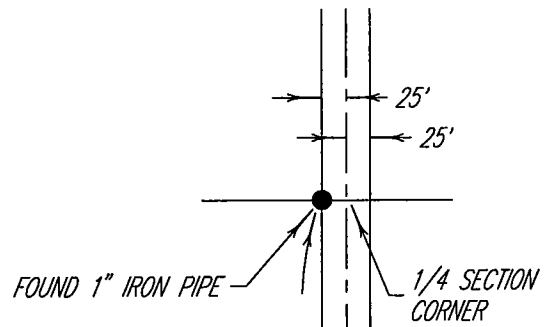
(D.D. Sheet No. 37 )

# LEGEND

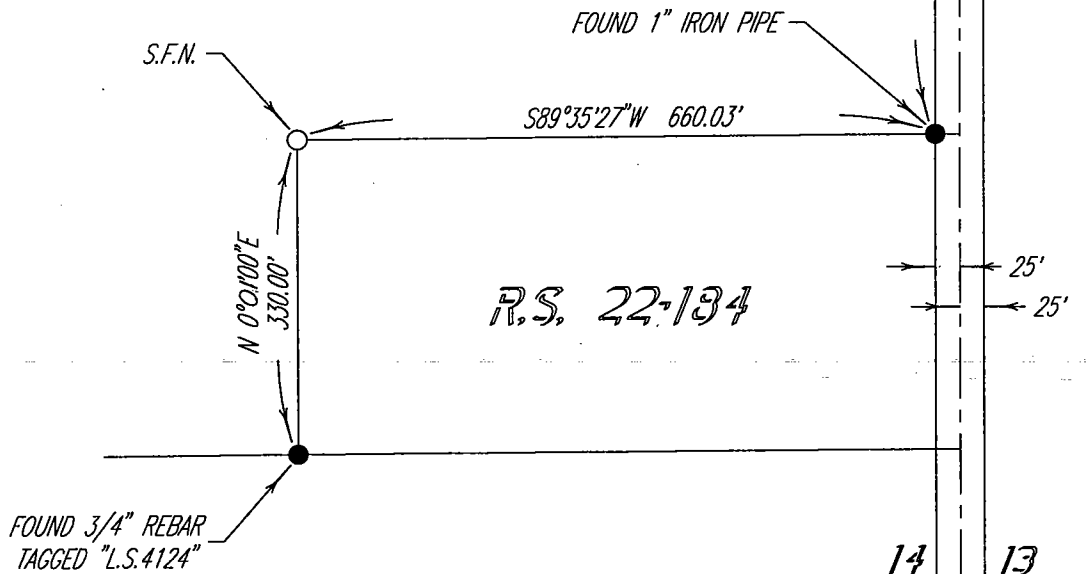
- FOUND MONUMENT AS NOTED PER R.S. 30-80
- SET 3/4" X 30" LONG IRON PIN WITH PLASTIC CAP STAMPED "R.C.E. 15,831"
- S.F.N. SEARCHED, FOUND NOTHING
- R.S. RECORD OF SURVEY, BOOK & PAGE, SAN JOAQUIN COUNTY RECORDS

# BASIS OF BEARINGS

THE BASIS OF BEARINGS FOR THIS SURVEY IS THE WESTERLY LINE OF KAISER ROAD AS SHOWN ON R.S. 30-80 AS  $N 0^{\circ}01'00''E$



R.S. 30-80



R.S. 22-134



14 13  
23 24  
T. IN., R. T.E.,  
M.D.B. & M.