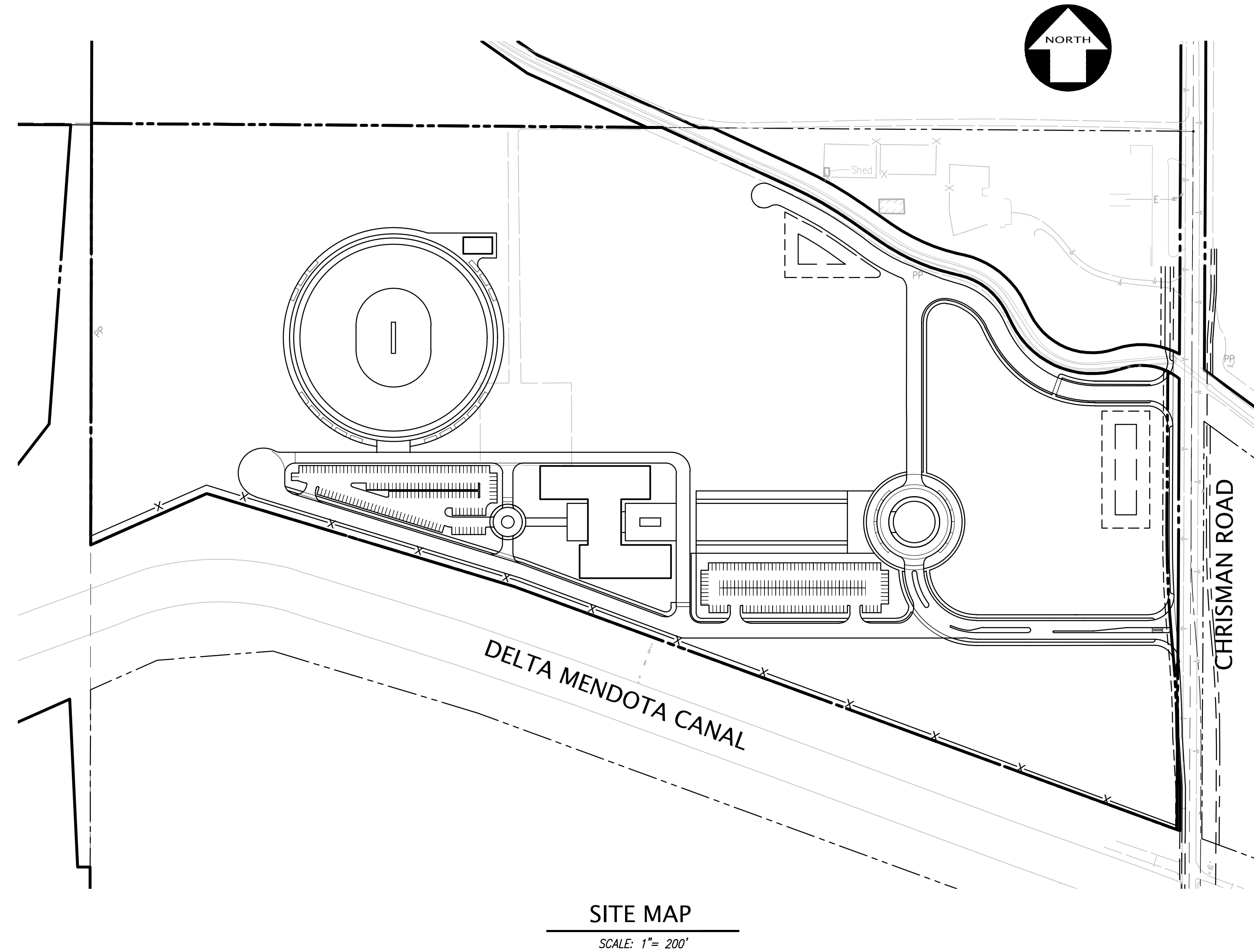
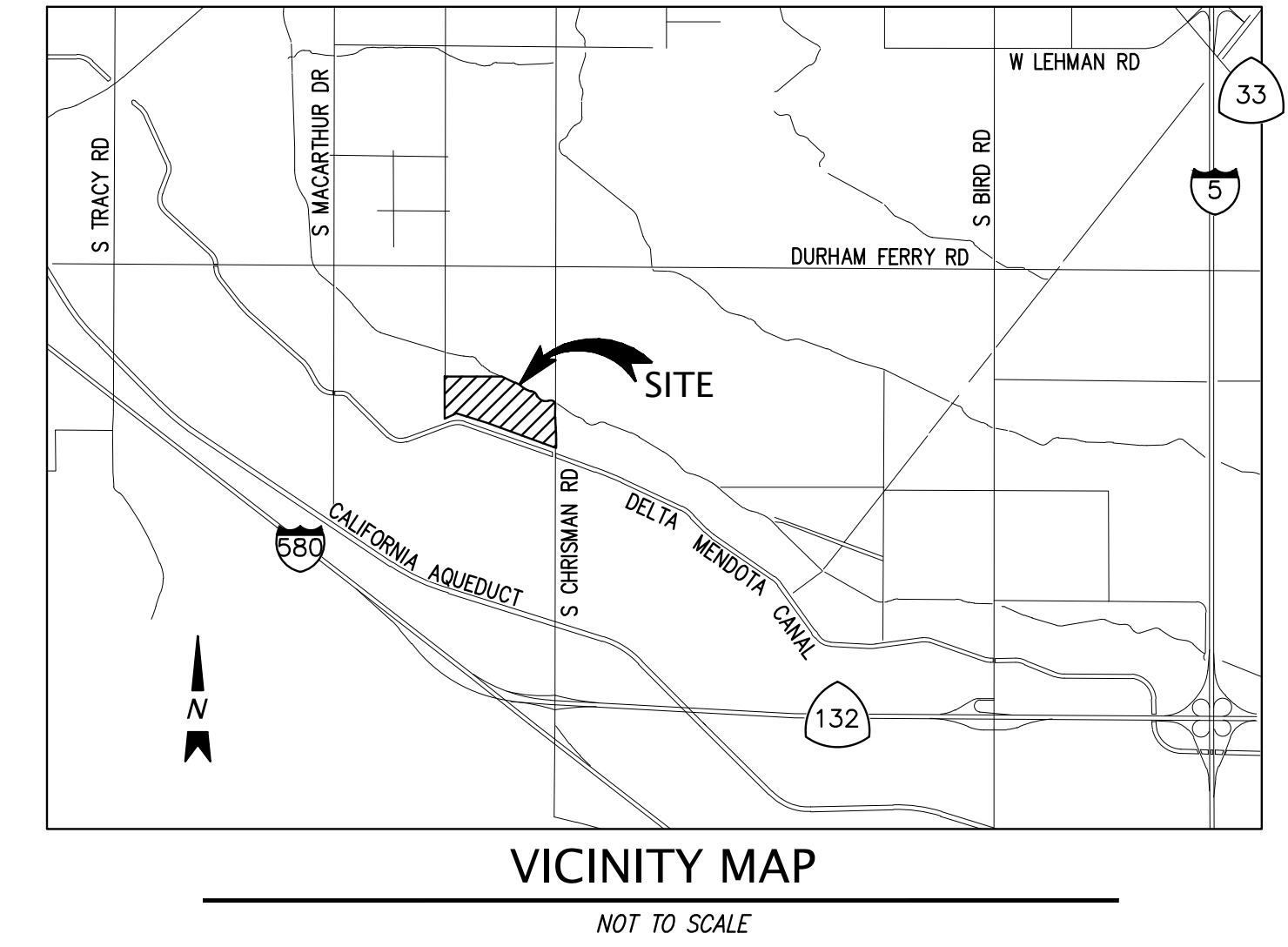


PRELIMINARY SITE IMPROVEMENT PLAN

OF

UNIVERSITY OF SILICON ANDHRA

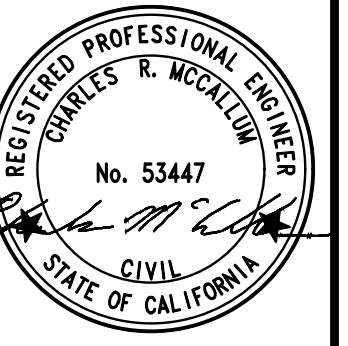
TRACY, CALIFORNIA



SHEET INDEX

SHEET	DESCRIPTION
CIVIL	
C1.0	COVER SHEET
C2.0	TYPICAL SECTIONS
C3.0	TOPOGRAPHIC SURVEY
C4.0	PRELIMINARY GRADING & DRAINAGE PLAN
C5.0	PRELIMINARY UTILITY PLAN

NO.	REVISION	BY



KIER+WRIGHT
 2850 Collier Canyon Road
 Livermore, CA 94551
 Phone: (925) 245-8788
 www.kierwright.com

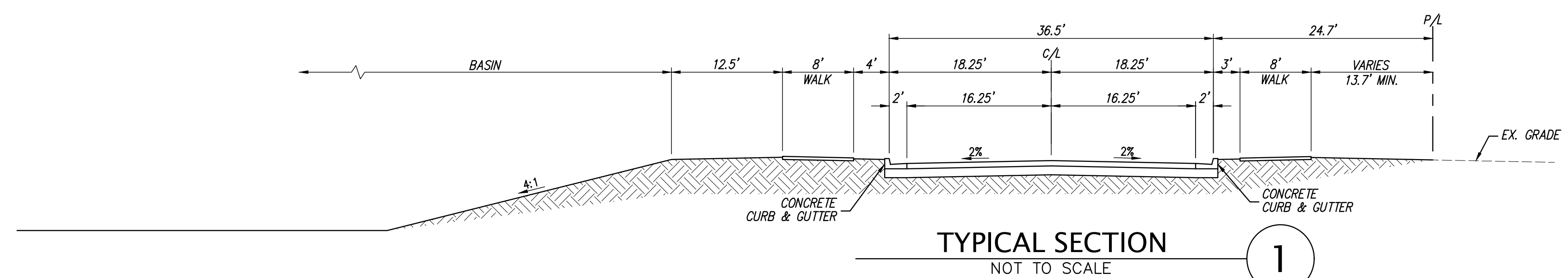
COVER SHEET
 OF
 UNIVERSITY OF SILICON ANDHRA
 FOR
 PACIFIC GATEWAY
 TRACY, CALIFORNIA

DATE	DECEMBER, 2022
SCALE	AS SHOWN
DESIGNER	CR
DRAWN BY	VB
JOB NO.	A21619-4
SHEET	C1.0
OF	5 SHEETS

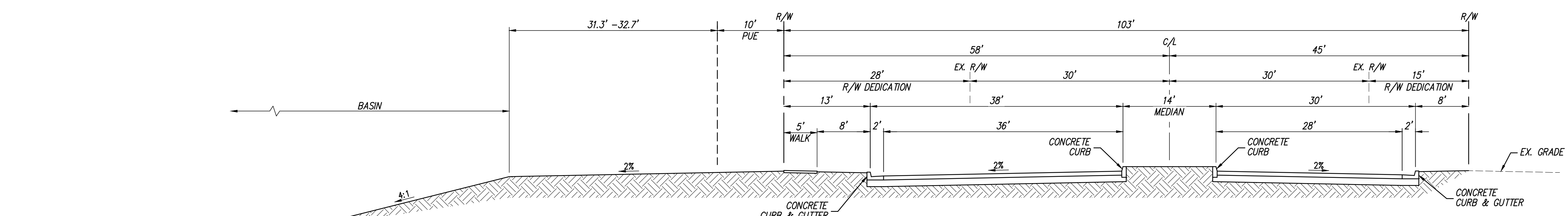
CIVIL ENGINEER
 KIER & WRIGHT CIVIL ENGINEERS & SURVEYORS, INC.
 ATTN: CHUCK MCCALLUM, P.E.
 2850 COLLIER CANYON ROAD
 LIVERMORE, CA 94551
 925-245-8788

ARCHITECT
 BILL HUIE, AIA, NCARB
 PAGE
 SENIOR ASSOCIATE
 BHUIE@PAGETHINK.COM
 415-477-5074

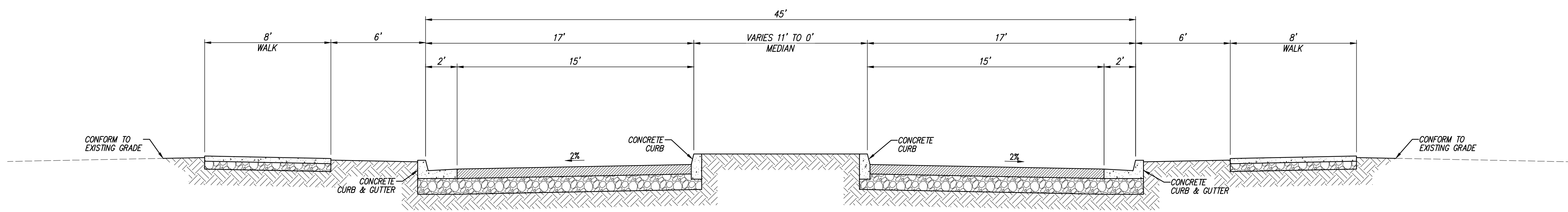
Z:\2021\A21619-3\UNIVERSITY\UNIVERSITY A21619-4-UNIVERSITY-PC-SECTIONS.dwg 12-14-22 10:54:57 PM aburilo



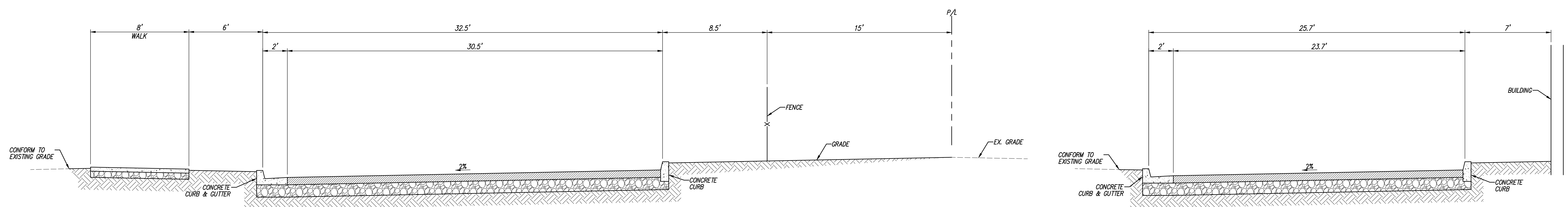
TYPICAL SECTION 1
NOT TO SCALE



TYPICAL SECTION 2
NOT TO SCALE



TYPICAL SECTION 3
NOT TO SCALE



TYPICAL SECTION 4
NOT TO SCALE

TYPICAL SECTION 5
NOT TO SCALE

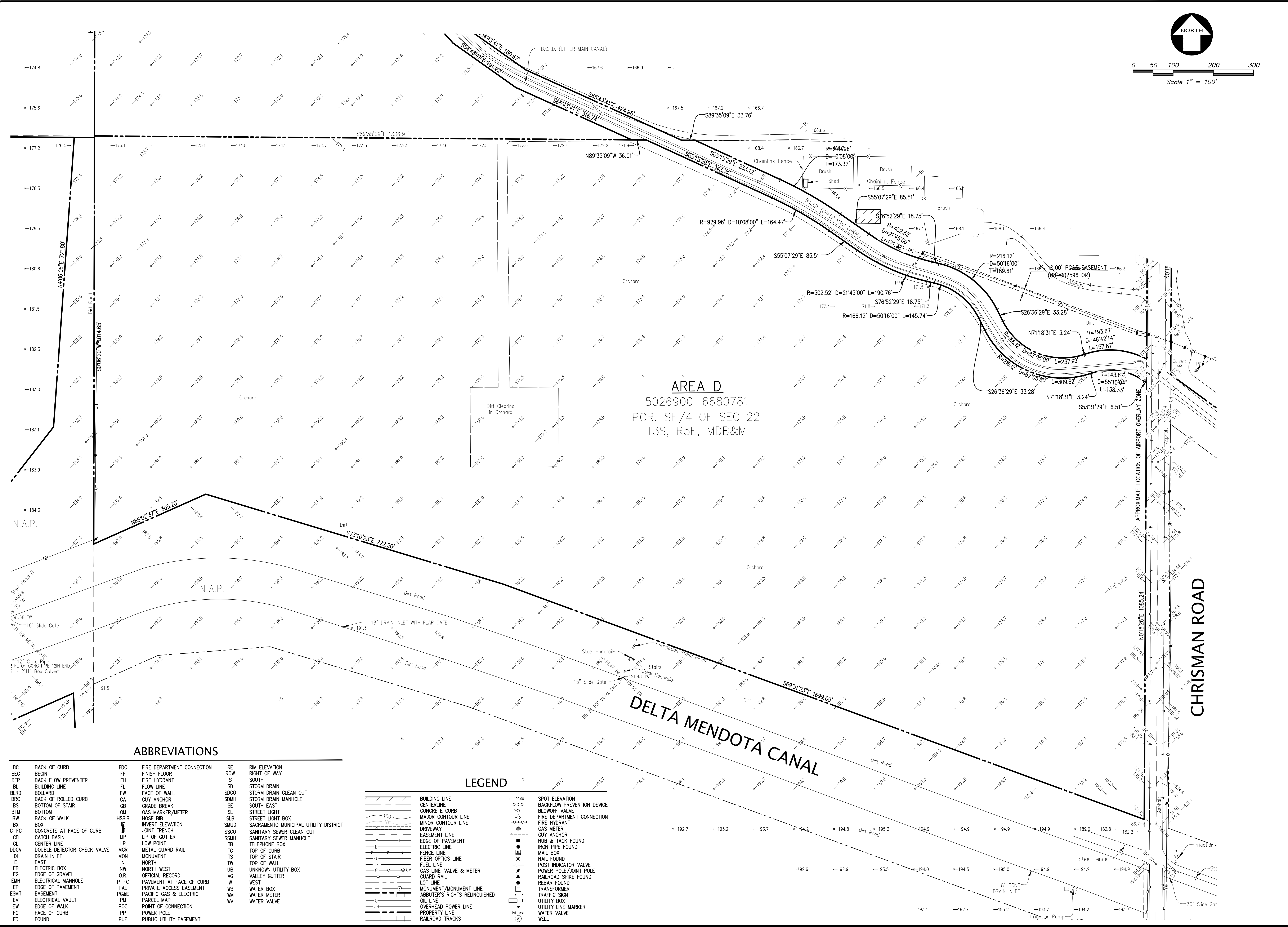
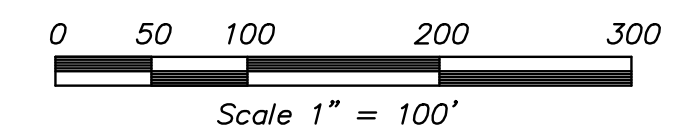
NO.	BY	REVISION



KIER+WRIGHT
 2850 Collier Canyon Road
 Livermore, CA 94551
 Phone: (925) 245-8788
 www.kierwright.com

TYPICAL SECTIONS
 OF
 UNIVERSITY OF SILICON ANDHRA
 FOR
 PACIFIC GATEWAY
 CALIFORNIA
 TRACY,

DATE	DECEMBER, 2022
SCALE	AS SHOWN
DESIGNER	CR
DRAWN BY	VB
JOB NO.	A21619-4
SHEET	C2.0
OF	5 SHEETS



ABBREVIATIONS

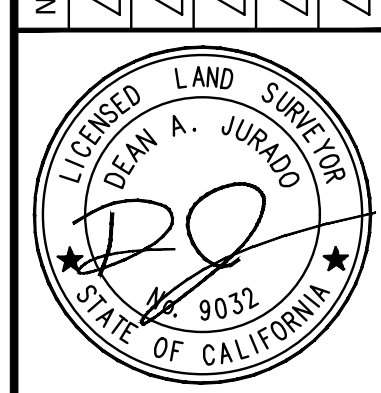
BC	BACK OF CURB	FDC	FIRE DEPARTMENT CONNECTION	RE	RIGHT ELEVATION
BEG	BEGIN	FF	FINISH FLOOR	ROW	RIGHT OF WAY
BFP	BACK FLOW PREVENTER	FH	FIRE HYDRANT	S	SOUTH
BL	BUILDING LINE	FL	FLOW LINE	SD	STORM DRAIN
BLRD	BOLLARD	FW	FACE OF WALL	SDCO	STORM DRAIN CLEAN OUT
BRC	BACK OF ROLLED CURB	GA	GUY ANCHOR	SDMH	STORM DRAIN MANHOLE
BS	BOTTOM OF STAIR	GB	GRADE BREAK	SE	SOUTH EAST
BTM	BOTTOM	GM	GAS METER/METER	SL	STREET LIGHT
BW	BACK OF WALK	HSBIB	HOSE BIB	SLB	STREET LIGHT BOX
BOX	BOX	IE	INVERT ELEVATION	SMUD	SACRAMENTO MUNICIPAL UTILITY DISTRICT
C-FC	CONCRETE AT FACE OF CURB	JT	JOINT TRENCH	SSCO	SANITARY SEWER CLEAN OUT
CB	CATCH BASIN	LIP	LIP OF GUTTER	SSMH	SANITARY SEWER MANHOLE
CL	CENTER LINE	LP	LOW POINT	TB	TELEPHONE BOX
DDCV	DOUBLE DETECTOR CHECK VALVE	MGR	METAL GUARD RAIL	TC	TOP OF CURB
DI	DRAIN INLET	MON	MONUMENT	TS	TOP OF STAIR
E	EAST	N	NORTH	TW	TOP OF WALL
EB	ELECTRIC BOX	NW	NORTH WEST	UB	UNKNOWN UTILITY BOX
EG	EDGE OF GRAVEL	O.R.	OFFICIAL RECORD	VG	VALLEY GUTTER
EMH	ELECTRICAL MANHOLE	P-FC	PAVEMENT AT FACE OF CURB	W	WEST
EP	EDGE OF PAVEMENT	PAE	PRIVATE ACCESS EASEMENT	WB	WATER BOX
ESMT	EASEMENT	PG&E	PACIFIC GAS & ELECTRIC	WM	WATER METER
EV	ELECTRICAL VAULT	PM	PARCEL MAP	WV	WATER VALVE
EW	EDGE OF WALK	POC	POINT OF CONNECTION		
FC	FACE OF CURB	PP	POWER POLE		
FD	FOUND	PUE	PUBLIC UTILITY EASEMENT		

LEGEND

	BUILDING LINE		SPOT ELEVATION
	CENTERLINE		BACKFLOW PREVENTION DEVICE
	CONCRETE CURB		BLOWOFF VALVE
	MAJOR CONTOUR LINE		FIRE DEPARTMENT CONNECTION
	MINOR CONTOUR LINE		FIRE HYDRANT
	DRIVEWAY		GAS METER
	EASEMENT LINE		GUY ANCHOR
	EDGE OF PAVEMENT		HUB & TRACK FOUND
	ELECTRIC LINE		IRON PIPE FOUND
	FENCE LINE		MAIL BOX
	FUEL LINE		NAIL FOUND
	GAS LINE-VALVE & METER		POST INDICATOR VALVE
	GUARD RAIL		POWER POLE/JOINT POLE
	LOT LINE		RAILROAD SPIKE FOUND
	MONUMENT/MONUMENT LINE ABUTTER'S RIGHTS RELINQUISHED		REBAR FOUND
	OVERHEAD POWER LINE		TRANSFORMER
	PROPERTY LINE		TRAFFIC SIGN
	RAILROAD TRACKS		UTILITY BOX
			UTILITY LINE MARKER
			WATER VALVE
			WELL

NO.	REVISION	BY

NO.	REVISION	BY

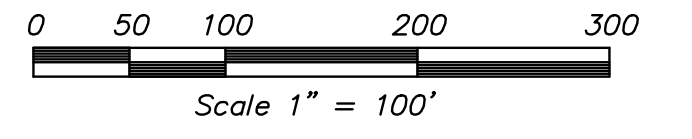
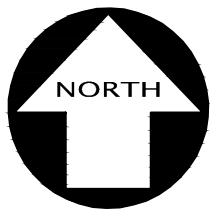


KIER+WRIGHT
 2850 Collier Canyon Road
 Livermore, CA 94551
 Phone: (925) 245-8788
 www.kierwright.com

TOPOGRAPHIC SURVEY
 OF
 UNIVERSITY OF SILICON ANDHRA
 FOR
 PACIFIC GATEWAY
 CALIFORNIA
 TRACY,

DATE	DECEMBER, 2022
SCALE	AS SHOWN
DESIGNER	CR
DRAWN BY	VB
JOB NO.	A21619-4
SHEET	C3.0
OF	5 SHEETS

Z:\2021\A21619-3\UNIVERSITY OF SILICON ANDHRA\A21619-4\UNIVERSITY-PC.dwg 12-14-22 10:55:35 PM vbm

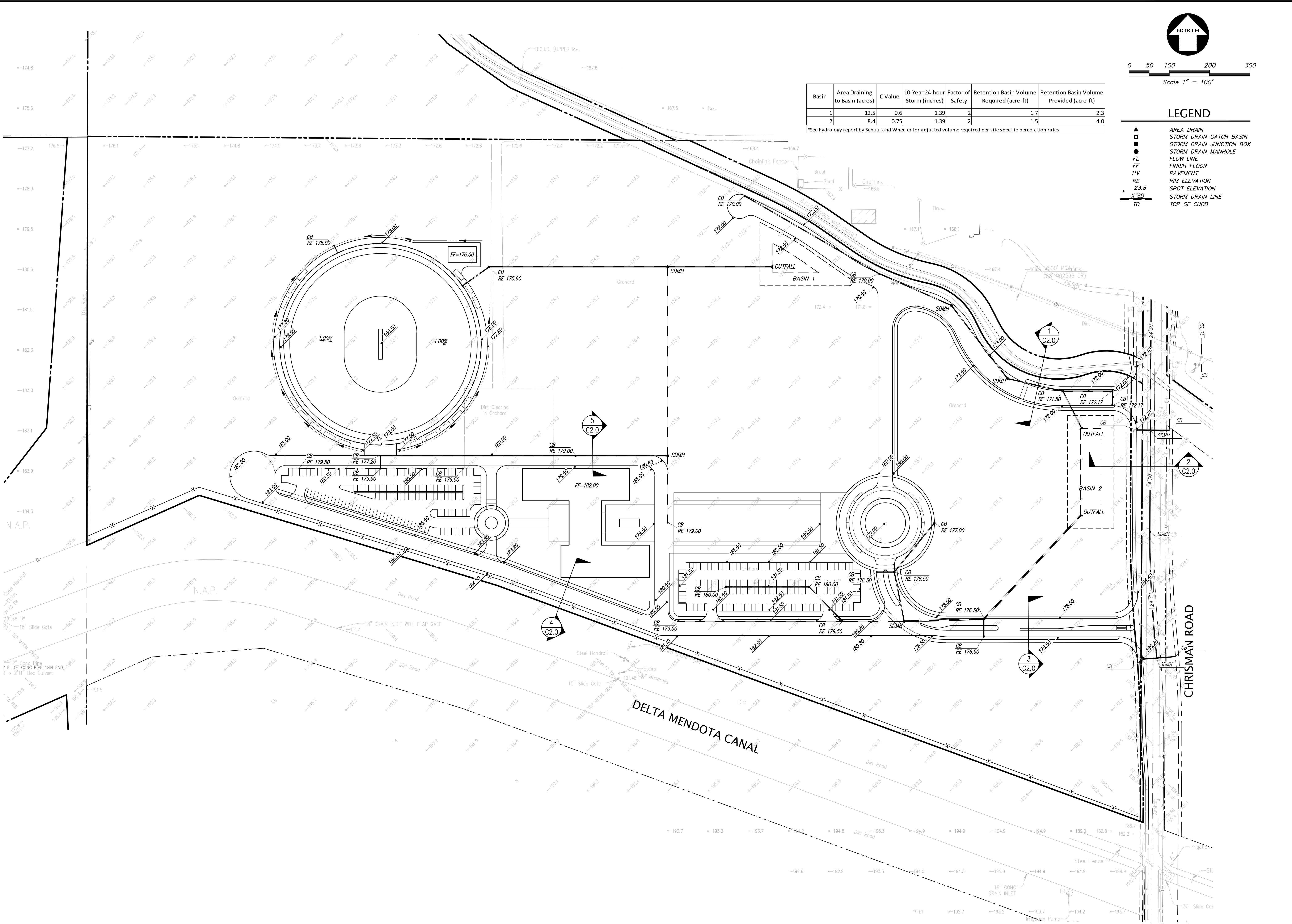


Basin	Area Draining to Basin (acres)	C Value	10-Year 24-hour Storm (inches)	Factor of Safety	Retention Basin Volume Required (acre-ft)	Retention Basin Volume Provided (acre-ft)
1	12.5	0.6	1.39	2	1.7	2.3
2	8.4	0.75	1.39	2	1.5	4.0

*See hydrology report by Schaaf and Wheeler for adjusted volume required per site specific percolation rates

LEGEND

- ▲ AREA DRAIN
- STORM DRAIN CATCH BASIN
- STORM DRAIN JUNCTION BOX
- STORM DRAIN MANHOLE
- FLOW LINE
- FF FINISH FLOOR
- PV PAVEMENT
- RE RIM ELEVATION
- 23.8 SPOT ELEVATION
- X-SD STORM DRAIN LINE
- TC TOP OF CURB



NO.	REVISION	BY

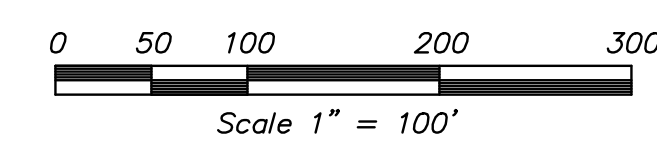


KIER+WRIGHT
 2850 Collier Canyon Road
 Livermore, CA 94551
 Phone: (925) 245-8788
 www.kierwright.com

PRELIMINARY GRADING & DRAINAGE PLAN
 OF
UNIVERSITY OF SILICON ANDHRA
 FOR
PACIFIC GATEWAY
 TRACY, CALIFORNIA

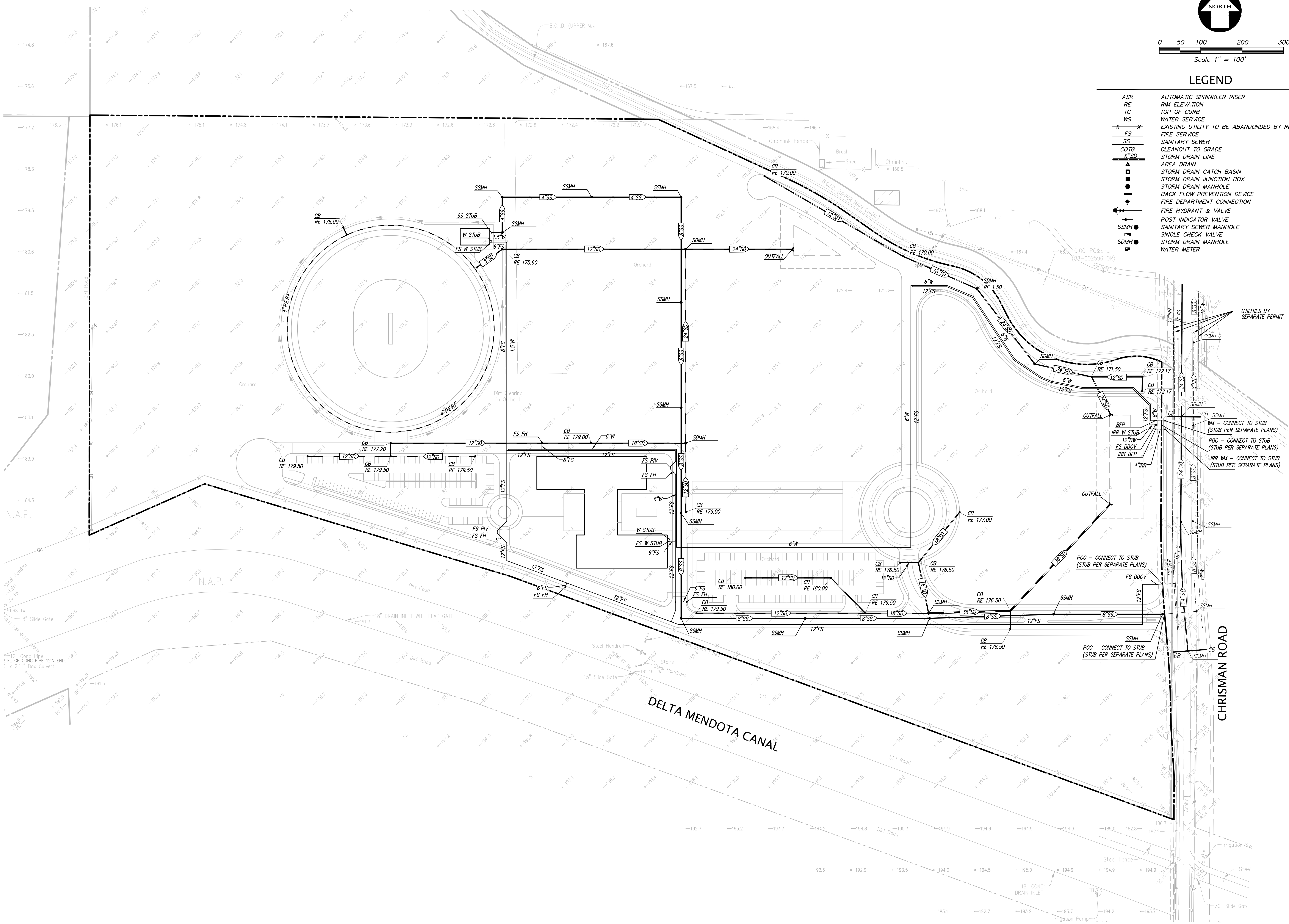
DATE	DECEMBER, 2022
SCALE	AS SHOWN
DESIGNER	CR
DRAWN BY	VB
JOB NO.	A21619-4
SHEET	C4.0
OF	5 SHEETS

Z:\2021\A21619-3\UNIVERSITY OF SILICON ANDHRA\A21619-4\UNIVERSITY-PC-CR.dwg 12-14-22 10:56:24 PM Abubia

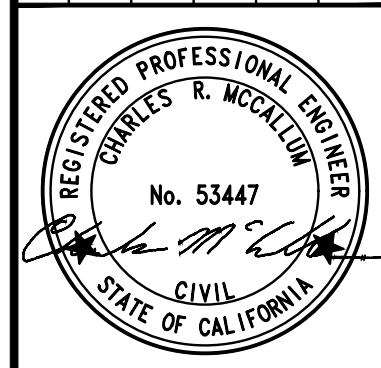


LEGEND

- ASR AUTOMATIC SPRINKLER RISER
- RE RIM ELEVATION
- TC TOP OF CURB
- WS WATER SERVICE
- X X EXISTING UTILITY TO BE ABANDONED BY REMOVAL
- FS FIRE SERVICE
- SS SANITARY SEWER
- COTG CLEANOUT TO GRADE
- X'SD STORM DRAIN LINE
- ▲ AREA DRAIN
- STORM DRAIN CATCH BASIN
- STORM DRAIN JUNCTION BOX
- STORM DRAIN MANHOLE
- ⊕ BACK FLOW PREVENTION DEVICE
- ⊕ FIRE DEPARTMENT CONNECTION
- ⊕ FIRE HYDRANT & VALVE
- ⊕ POST INDICATOR VALVE
- SSMH SANITARY SEWER MANHOLE
- SSMH SINGLE CHECK VALVE
- SSMH STORM DRAIN MANHOLE
- SSMH WATER METER



NO.	REVISION	BY



KIER+WRIGHT
 2850 Collier Canyon Road
 Livermore, CA 94551
 Phone: (925) 245-8788
 www.kierwright.com

**PRELIMINARY UTILITY PLAN
 OF
 UNIVERSITY OF SILICON ANDHRA
 FOR
 PACIFIC GATEWAY**
 TRACY, CALIFORNIA

DATE	DECEMBER, 2022
SCALE	AS SHOWN
DESIGNER	CR
DRAWN BY	VB
JOB NO.	A21619-4
SHEET	C5.0
OF	5 SHEETS

Z:\2021\A21619-3\UNIVERSITY OF SILICON ANDHRA\A21619-4-UNIVERSITY-PC-UP.dwg 12-14-22 10:57:26 PM abumia