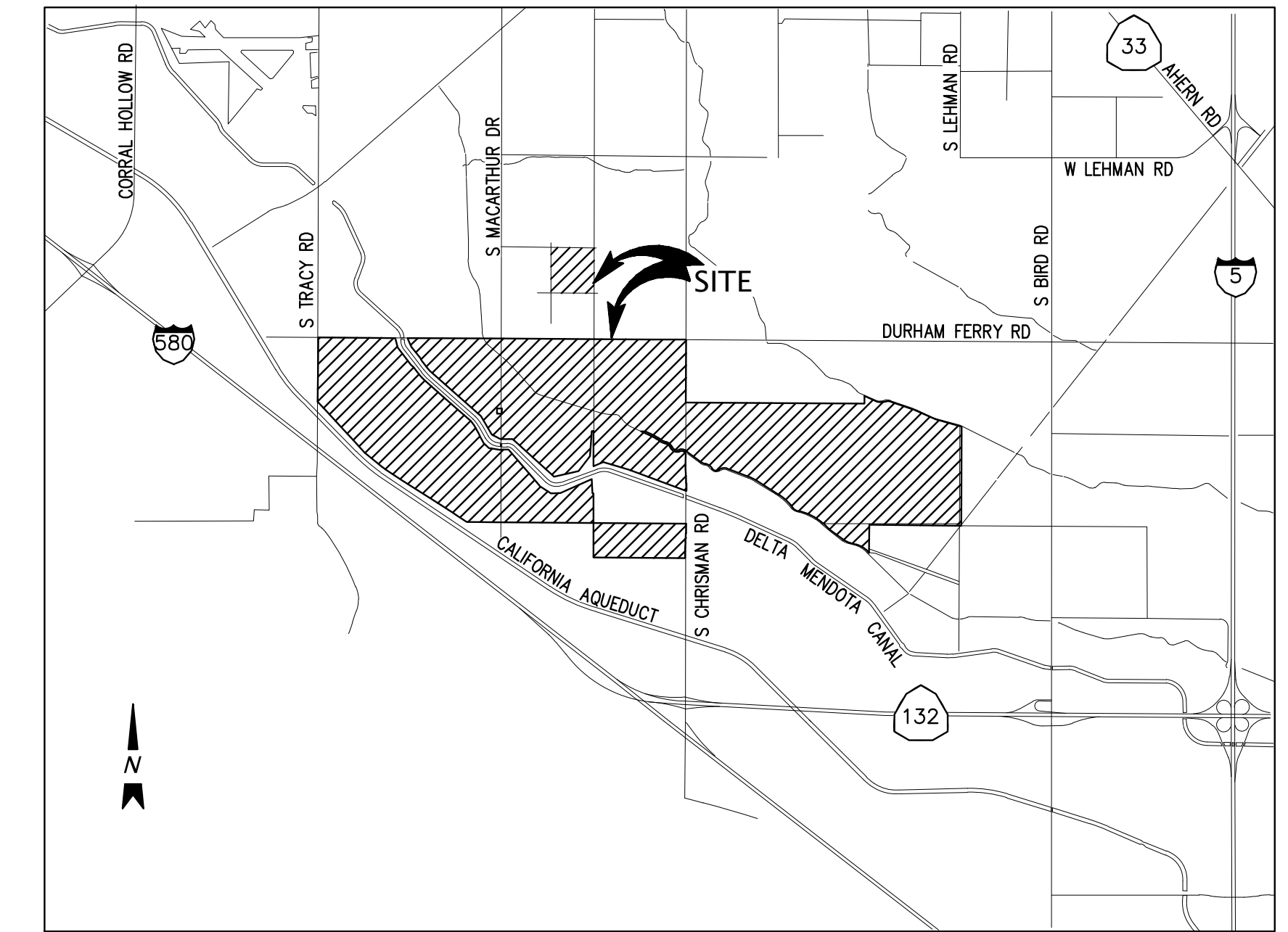


# MASTER TENTATIVE MAP WITH PHASED FINAL MAPS TRACT 4154 PACIFIC GATEWAY

SAN JOAQUIN COUNTY,

CALIFORNIA

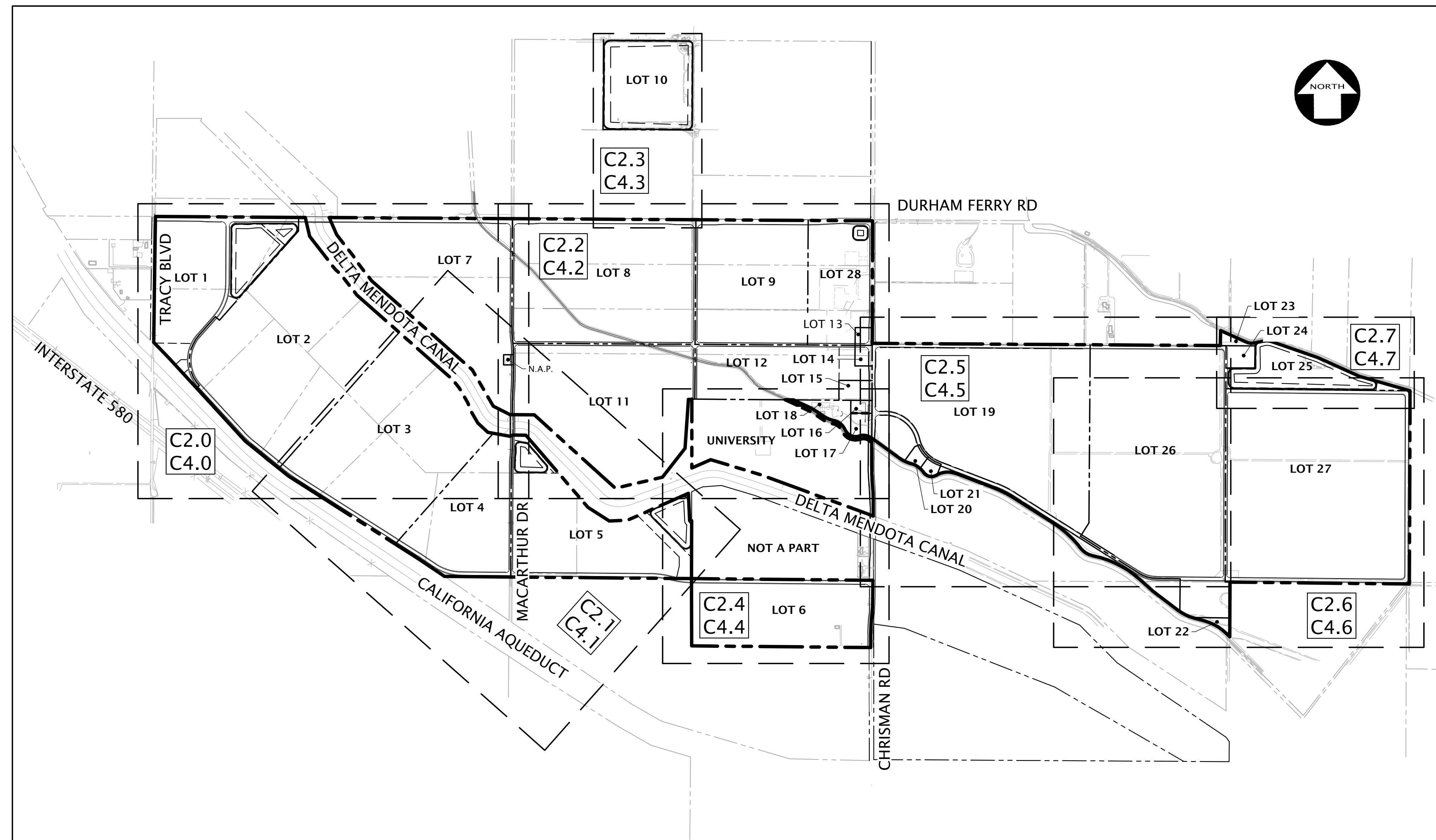


VICINITY MAP

NOT TO SCALE

### SHEET INDEX

SHEET	DESCRIPTION
CIVIL	
C1.0	COVER SHEET AND KEY MAP
C2.0	TOPOGRAPHIC SURVEY
C2.1	TOPOGRAPHIC SURVEY
C2.2	TOPOGRAPHIC SURVEY
C2.3	TOPOGRAPHIC SURVEY
C2.4	TOPOGRAPHIC SURVEY
C2.5	TOPOGRAPHIC SURVEY
C2.6	TOPOGRAPHIC SURVEY
C2.7	TOPOGRAPHIC SURVEY
C3.0	OVERALL ROADWAY PLAN
C3.1	TYPICAL ROADWAY SECTIONS
C3.2	TYPICAL ROADWAY SECTIONS
C3.3	PROPOSED PARCEL AND EASEMENT MAP
C4.0	GRADING AND UTILITY PLAN
C4.1	GRADING AND UTILITY PLAN
C4.2	GRADING AND UTILITY PLAN
C4.3	GRADING AND UTILITY PLAN
C4.4	GRADING AND UTILITY PLAN
C4.5	GRADING AND UTILITY PLAN
C4.6	GRADING AND UTILITY PLAN
C4.7	GRADING AND UTILITY PLAN



TOPOGRAPHIC SURVEY AND GRADING & UTILITY PLAN SHEET KEY MAP

1" = 1000'

### BENCHMARK:

FOUND 3 1/2 INCH BRASS DISK, NGS BENCHMARK, SOUTHEAST OF THE NORTHWEST END OF THE NORTH CONCRETE ABUTMENT WINGWALL OF THE ROAD BRIDGE SPANNING THE CALIFORNIA AQUEDUCT.

### BASIS OF BEARINGS:

THE BEARING OF NORTH 00° 31' 20" EAST TAKEN ON THE MONUMENT LINE OF MAC ARTHUR AS SHOWN ON THAT CERTAIN PARCEL MAP FILED FOR RECORD ON DECEMBER 24, 2007, IN BOOK 24 OF PARCEL MAPS AT PAGE 155, OFFICIAL RECORDS OF SAN JOAQUIN COUNTY WAS TAKEN AS THE BASIS FOR ALL BEARINGS SHOWN HEREON.

### PROJECT NOTES:

THIS MASTER TENTATIVE MAP WITH PHASED FINAL MAPS ACCOMPANIES THE PACIFIC GATEWAY SPECIFIC PLAN AND ZONING APPLICATIONS.

THIS MASTER TENTATIVE MAP BROKEN UP INTO TWO MAJOR PHASES. THE PHASE 1 AREA INCLUDES LOTS 19 THRU 27. PHASE 2 INCLUDES LOTS 1 THRU 18.

PHASE 1 WILL BE SUBDIVIDED BY SEPARATE MAPPING PROCESSES AND KIER AND WRIGHT HAS PROVIDED A SECOND TENTATIVE MAP TRACT 4162 FOR THE INITIAL DETAILED DEVELOPMENT FOR A PORTION OF THIS AREA.

DETAILED INFORMATION FOR SEWER, WATER, AND STORM DRAIN INFRASTRUCTURE IS PROVIDED BY SEPARATE MEMOS BY SCHAFF AND WHEELER. THIS INCLUDES DETAILED CONCEPTUAL DESIGN FOR PHASE 1 INFRASTRUCTURE.

TRAFFIC IMPROVEMENTS FOR PHASE 1 INCLUDING CHRISMAN ROAD (TENTATIVE 2-LANES) SHALL BE DISCUSSED IN TRAFFIC REPORT BY FEHR AND PEERS.

### LEGEND

23.8	SPOT ELEVATION
RE	RIM ELEVATION
TC	TOP OF CURB
WS	WATER SERVICE
FL	FLOW LINE
FF	FINISHED FLOOR
PV	PAVEMENT
RE	RIM ELEVATION
X	EXISTING UTILITY TO BE ABANDONED BY REMOVAL
FS	FIRE SERVICE
SS	SANITARY SEWER
COTG	CLEANOUT TO GRADE
X <sub>SD</sub>	STORM DRAIN LINE
▲	AREA DRAIN
■	STORM DRAIN CATCH BASIN
□	STORM DRAIN JUNCTION BOX
○	STORM DRAIN MANHOLE
+	BACK FLOW PREVENTION DEVICE
+	FIRE DEPARTMENT CONNECTION
+	FIRE HYDRANT & VALVE
+	POST INDICATOR VALVE
+	SANITARY SEWER MANHOLE
+	SINGLE CHECK VALVE
+	STORM DRAIN MANHOLE
+	WATER METER



Know what's below.  
Call before you dig.

NO.	BY	NO.	REVISION

**KIER+WRIGHT**  
2850 Collier Canyon Road  
Livermore, California 94551  
Phone: (925) 245-9788  
www.kierwright.com

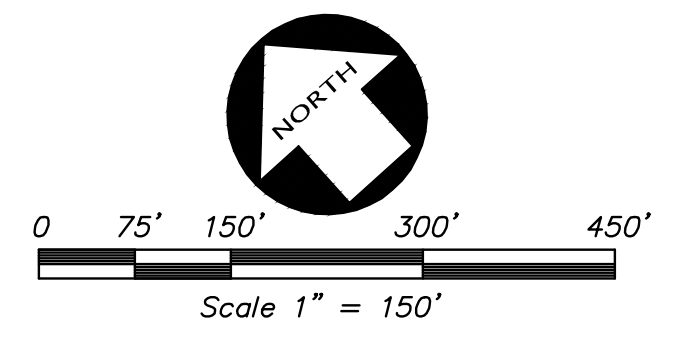
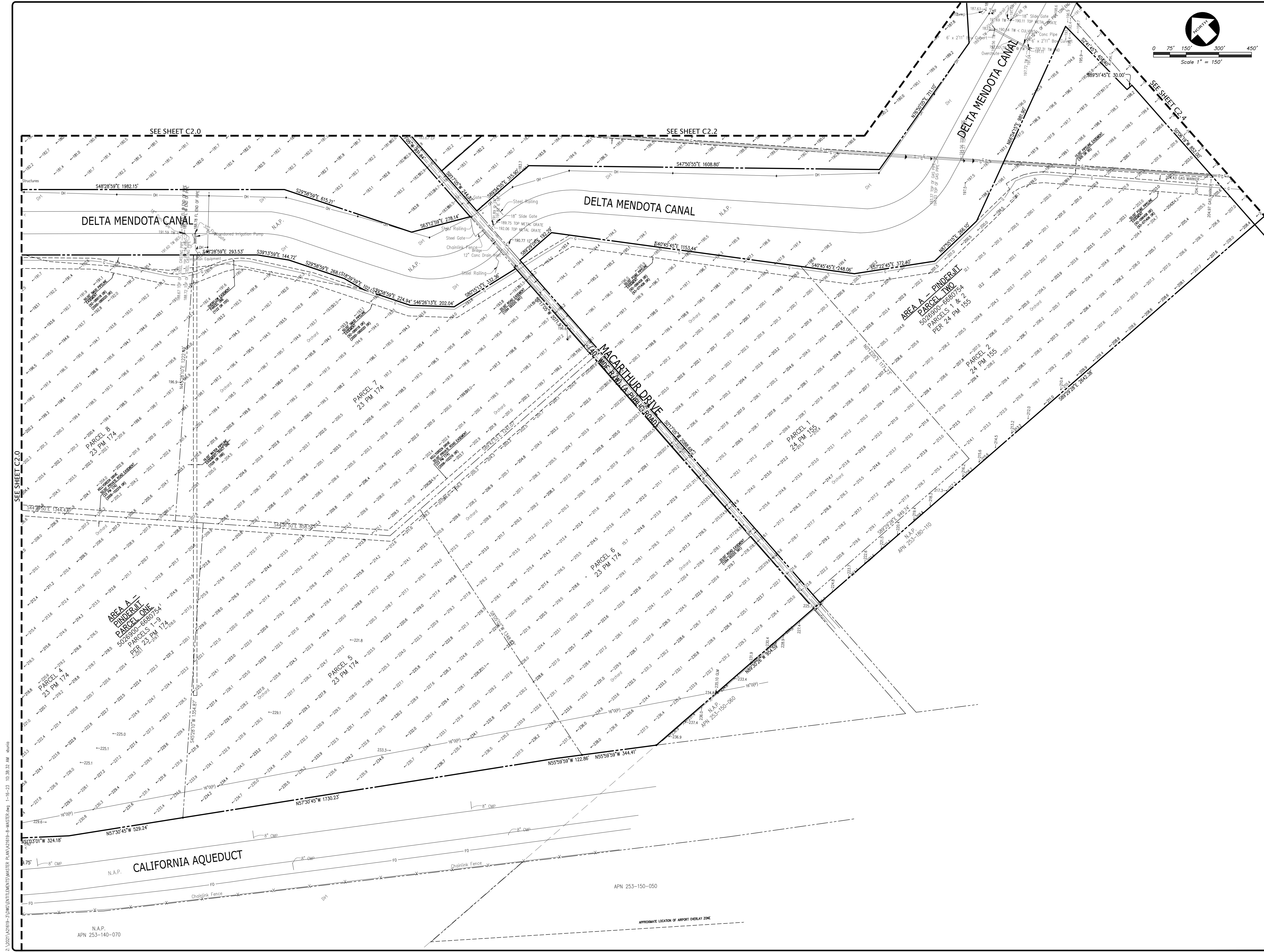
COVER SHEET AND KEY MAP  
VESTING TENTATIVE SUBDIVISION MAP WITH PHASED FINAL MAPS  
TRACT 4154  
PACIFIC GATEWAY

SAN JOAQUIN COUNTY, CALIFORNIA

DATE	JANUARY, 2023
SCALE	AS SHOWN
DESIGNER	CR
DRAWN BY	VB
JOB NO.	A21619-8
SHEET	C1.0
OF	21 SHEETS

Z:\2023\A21619-8\00\G\UTILITEMEN\MASTER PLAN\A21619-8-MASTER.dwg, 1-16-23, 10:37:58 AM, mbarco





Z:\2021\421619-10\WORK\DRAWINGS\MASTER PLAN\421619-8-MASTER.dwg 1-16-23 10:38:32 AM

DATE	JANUARY, 2023
SCALE	AS SHOWN
DESIGNER	CR
DRAWN BY	VB
JOB NO.	A21619-8
SHEET	C2.1
OF	21 SHEETS

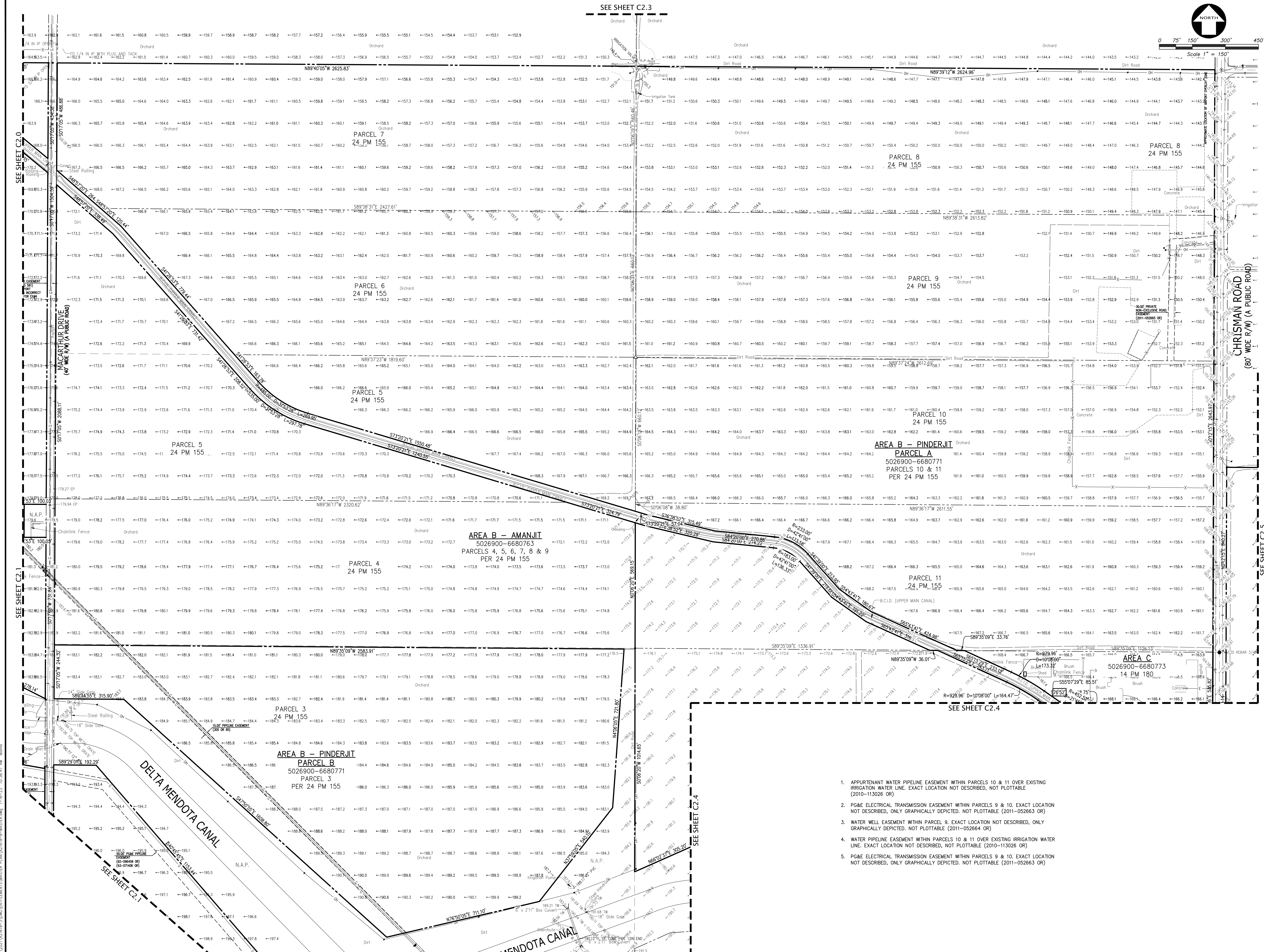
NO.	BY	NO.	REVISION

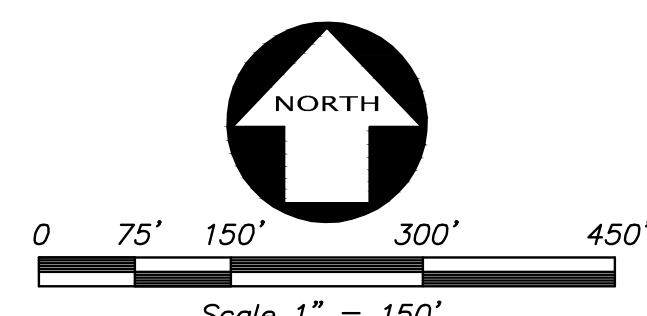
	<b>KIER+WRIGHT</b> 2850 Collier Canyon Road Livermore, California 94551 Phone (925) 245-8788 www.kierwright.com
--	---

**TOPOGRAPHIC SURVEY**  
**VESTING TENTATIVE SUBDIVISION MAP WITH PHASED FINAL MAPS**  
**TRACT 4154**  
**PACIFIC GATEWAY**  
 SAN JOAQUIN COUNTY, CALIFORNIA



SEE SHEET C2.3



SEE SHEET C2.0

SEE SHEET C2.5

SEE SHEET C2.1

1. APPURTENANT WATER PIPELINE EASEMENT WITHIN PARCELS 10 & 11 OVER EXISTING IRRIGATION WATER LINE. EXACT LOCATION NOT DESCRIBED, NOT PLOTTABLE (2010-113026 OR)
2. PG&E ELECTRICAL TRANSMISSION EASEMENT WITHIN PARCELS 9 & 10. EXACT LOCATION NOT DESCRIBED, ONLY GRAPHICALLY DEPICTED. NOT PLOTTABLE (2011-052663 OR)
3. WATER WELL EASEMENT WITHIN PARCEL 9. EXACT LOCATION NOT DESCRIBED, ONLY GRAPHICALLY DEPICTED. NOT PLOTTABLE (2011-052664 OR)
4. WATER PIPELINE EASEMENT WITHIN PARCELS 10 & 11 OVER EXISTING IRRIGATION WATER LINE. EXACT LOCATION NOT DESCRIBED, NOT PLOTTABLE (2010-113026 OR)
5. PG&E ELECTRICAL TRANSMISSION EASEMENT WITHIN PARCELS 9 & 10. EXACT LOCATION NOT DESCRIBED, ONLY GRAPHICALLY DEPICTED. NOT PLOTTABLE (2011-052663 OR)

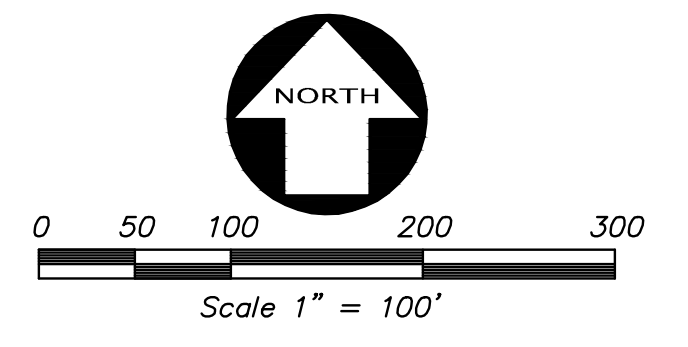
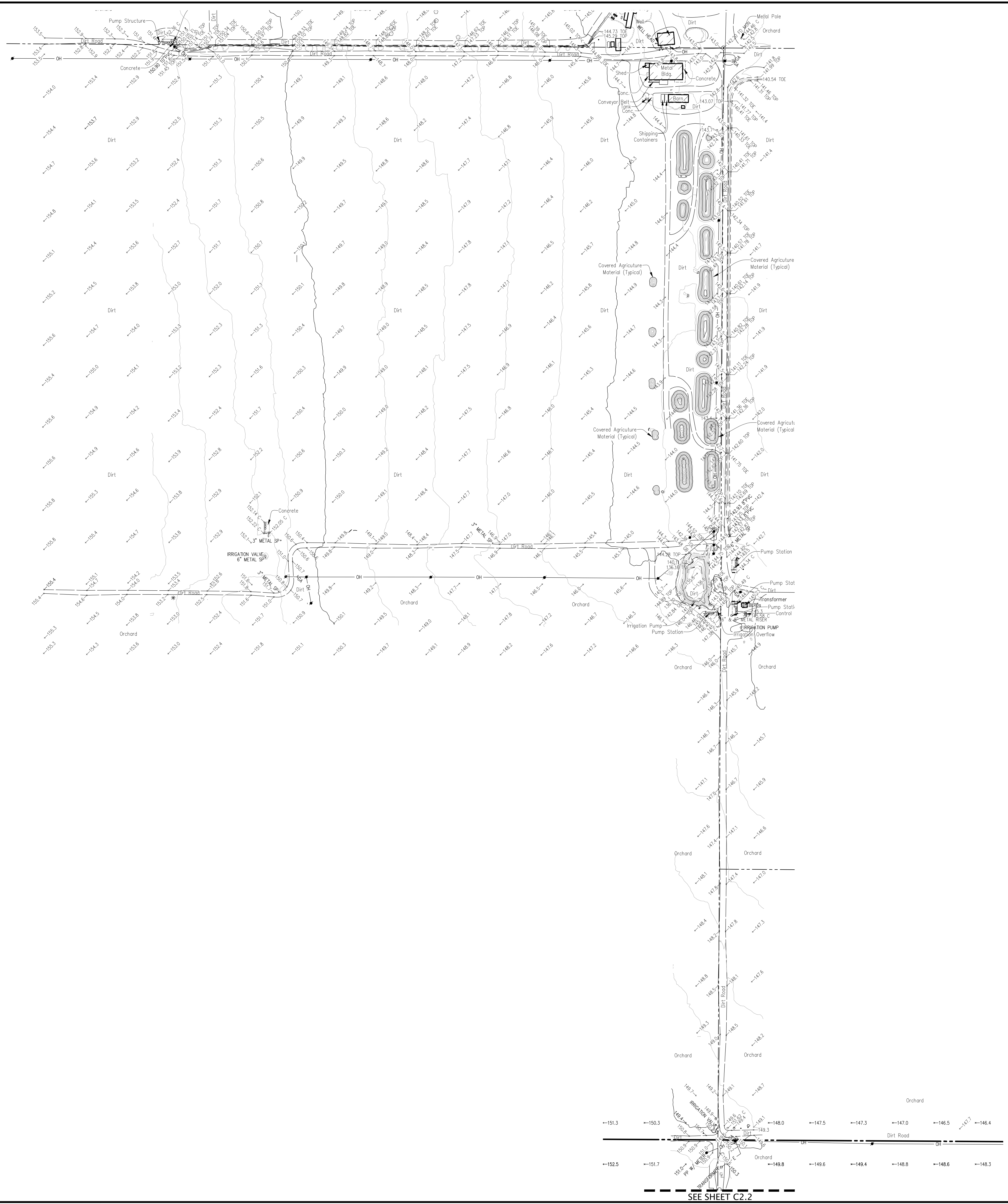
NO.	BY	NO.	REVISION

**KIER+WRIGHT**  
 2850 Collier Canyon Road  
 Livermore, California 94551  
 Phone (925) 245-8788  
 www.kierwright.com

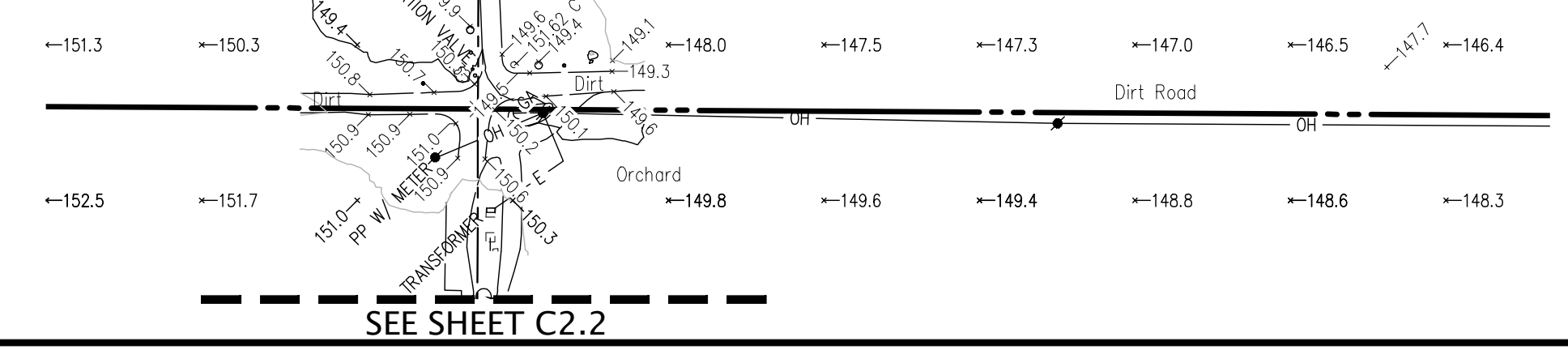
**TOPOGRAPHIC SURVEY  
 VESTING TENTATIVE SUBDIVISION MAP WITH PHASED FINAL MAPS  
 TRACT 4154  
 PACIFIC GATEWAY**

SAN JOAQUIN COUNTY, CALIFORNIA

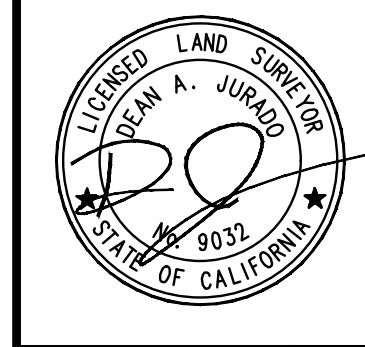
DATE	JANUARY, 2023
SCALE	AS SHOWN
DESIGNER	CR
DRAWN BY	VB
JOB NO.	A21619-8
SHEET	<b>C2.2</b>
OF	21 SHEETS



Z:\2023\A21619-30\GIS\GITTLEMENTS\MASTER PLAN\A21619-8-MASTER.dwg 1-16-23 10:38:07 AM auburo



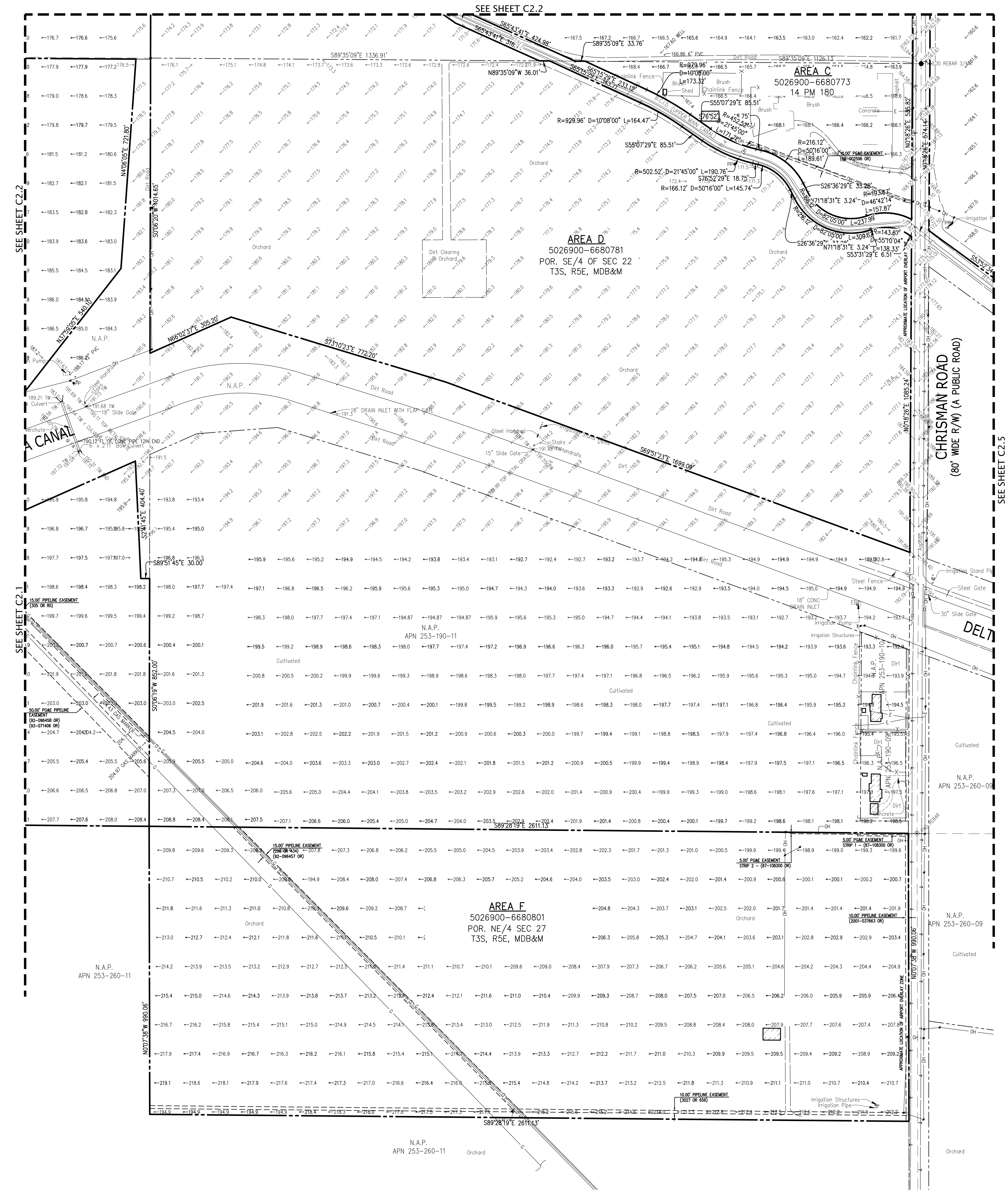
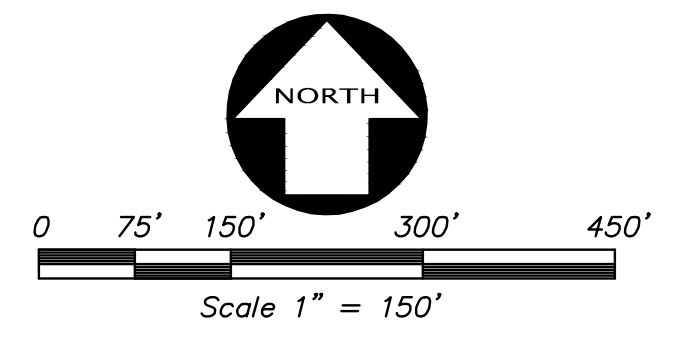
NO.	BY	NO.	REVISION



**KIER+WRIGHT**  
 2850 Collier Canyon Road  
 Livermore, California 94551  
 Phone (925) 245-8788  
 www.kierwright.com

**TOPOGRAPHIC SURVEY**  
**VESTING TENTATIVE SUBDIVISION MAP WITH PHASED FINAL MAPS**  
**TRACT 4154**  
**PACIFIC GATEWAY**  
 SAN JOAQUIN COUNTY, CALIFORNIA

DATE	JANUARY, 2023
SCALE	AS SHOWN
DESIGNER	CR
DRAWN BY	VB
JOB NO.	A21619-8
SHEET	<b>C2.3</b>
OF	21 SHEETS



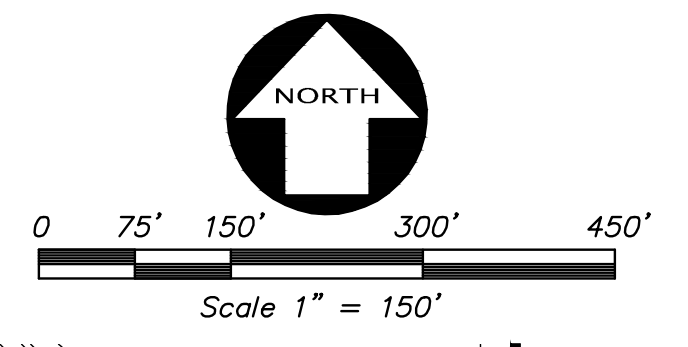
NO.	BY	NO.	REVISION



**TOPOGRAPHIC SURVEY**  
**VESTING TENTATIVE SUBDIVISION MAP WITH PHASED FINAL MAPS**  
**TRACT 4154**  
**PACIFIC GATEWAY**  
 SAN JOAQUIN COUNTY, CALIFORNIA

DATE	JANUARY, 2023
SCALE	AS SHOWN
DESIGNER	CR
DRAWN BY	VB
JOB NO.	A21619-8
SHEET	<b>C2.4</b>
OF	21 SHEETS

Z:\2023\A21619-8\TOPOG\SUBDIVISIONS\MASTER PLAN\A21619-8-MASTER.dwg 1-16-23 10:38:22 AM sburda



SEE SHEET C2.2

SEE SHEET C2.4

SEE SHEET C2.7

SEE SHEET C2.6

NO.	BY	NO.	REVISION

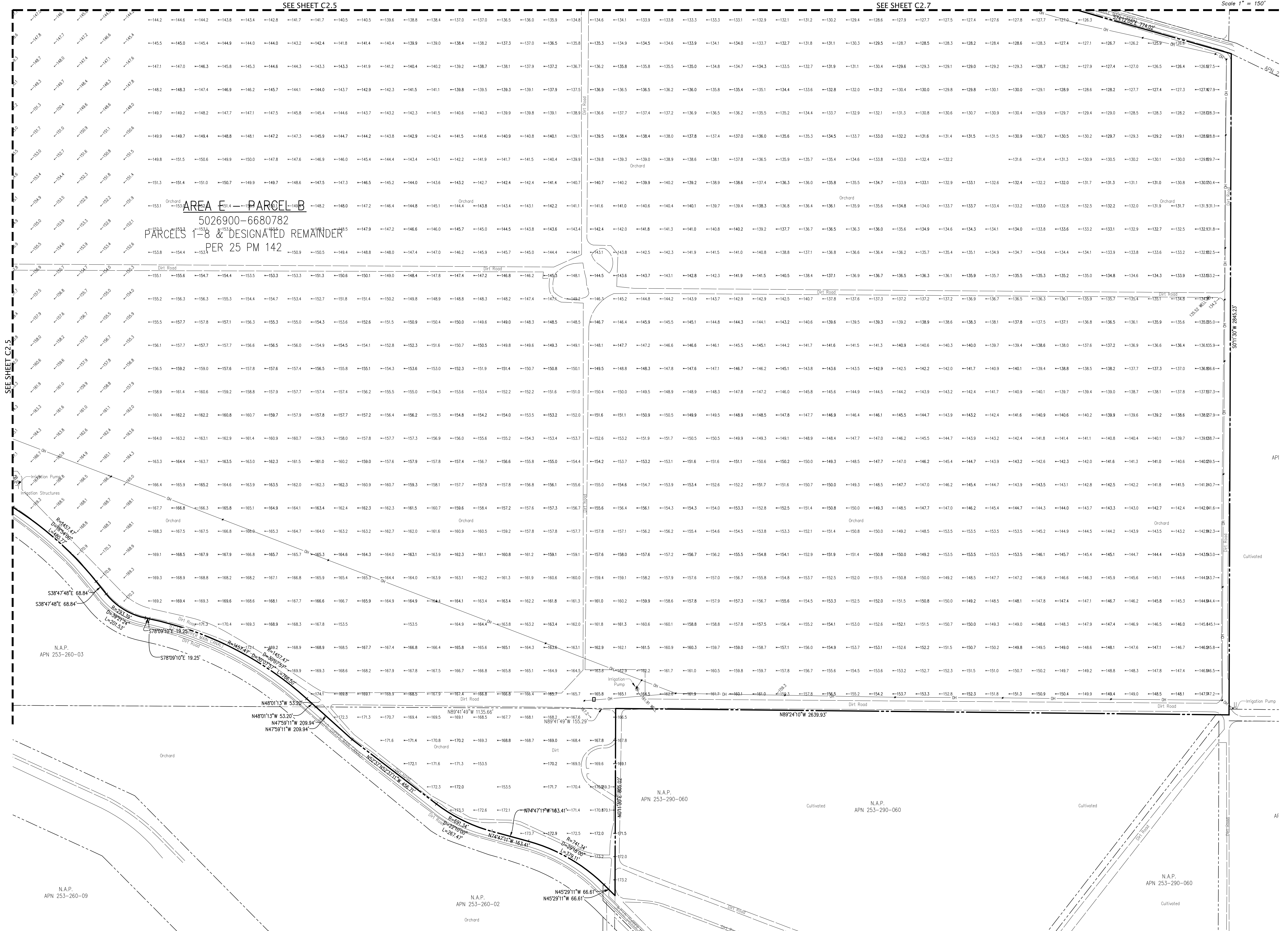
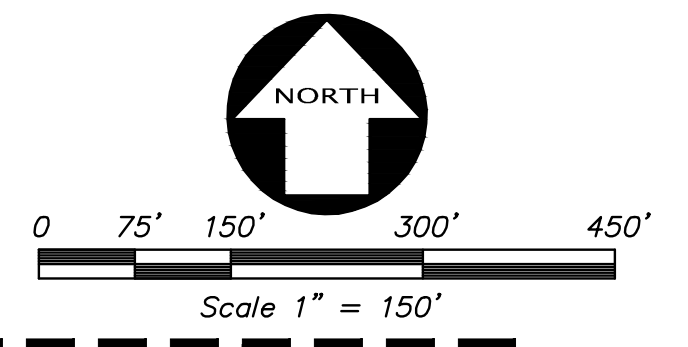
  

**KIER+WRIGHT**  
 2850 Collier Canyon Road  
 Livermore, California 94551  
 Phone (925) 245-8788  
 www.kierwright.com

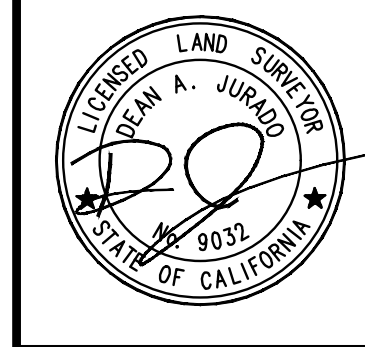
**TOPOGRAPHIC SURVEY**  
**VESTING TENTATIVE SUBDIVISION MAP WITH PHASED FINAL MAPS**  
**TRACT 4154**  
**PACIFIC GATEWAY**  
 SAN JOAQUIN COUNTY, CALIFORNIA

DATE: JANUARY, 2023  
 SCALE: AS SHOWN  
 DESIGNER: CR  
 DRAWN BY: VB  
 JOB NO.: A21619-8  
 SHEET: **C2.5**  
 OF 21 SHEETS

Z:\2020\421619-8\TOPO\DELTA MENDOTA CANAL MASTER.dwg, 1-16-23 10:38:37 AM, shunbo



NO.	BY	NO.	REVISION



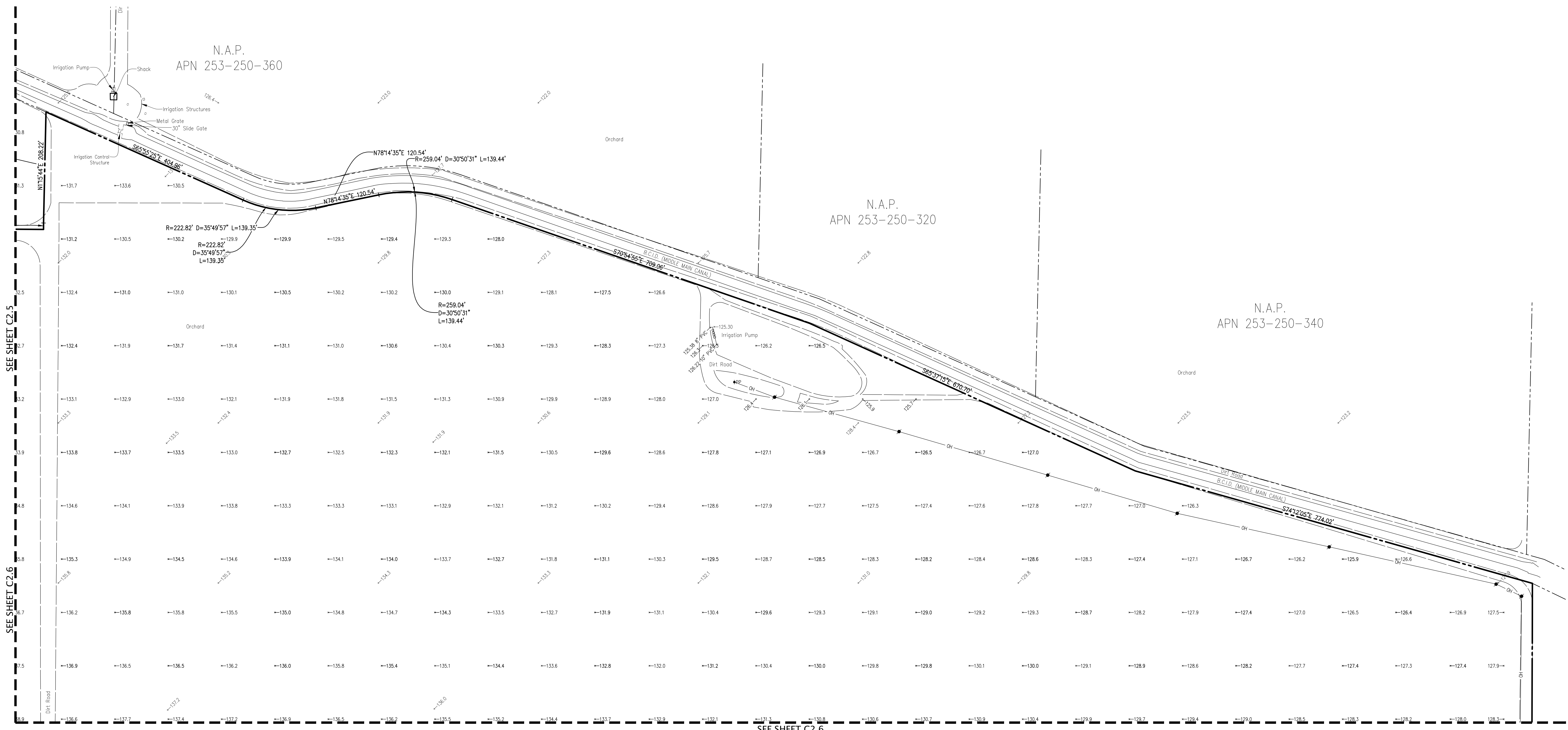
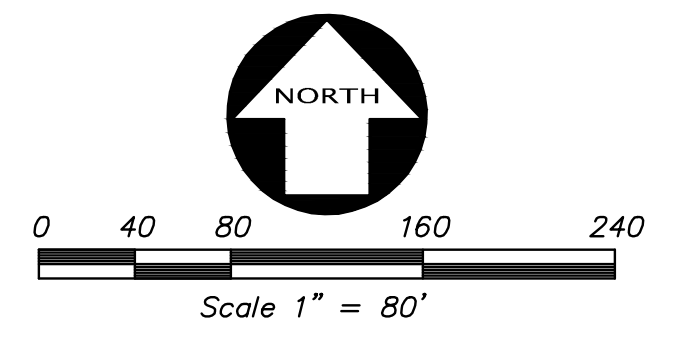
**KIER+WRIGHT**  
 2850 Collier Canyon Road  
 Livermore, California 94551  
 Phone (925) 245-8988  
 www.kierwright.com

**TOPOGRAPHIC SURVEY  
 VESTING TENTATIVE SUBDIVISION MAP WITH PHASED FINAL MAPS  
 TRACT 4154  
 PACIFIC GATEWAY**  
 SAN JOAQUIN COUNTY, CALIFORNIA

DATE	JANUARY, 2023
SCALE	AS SHOWN
DESIGNER	CR
DRAWN BY	VB
JOB NO.	A21619-8
SHEET	<b>C2.6</b>
OF	21 SHEETS

Z:\2023\A21619-8\TOPO\SUBDIVISIONS\MASTER PLAN\A21619-8-MASTER.dwg 1-16-23 10:38:52 AM





NO.	BY	REVISION



**KIER+WRIGHT**  
 2850 Collier Canyon Road  
 Livermore, California 94551  
 Phone (925) 245-8788  
 www.kierwright.com

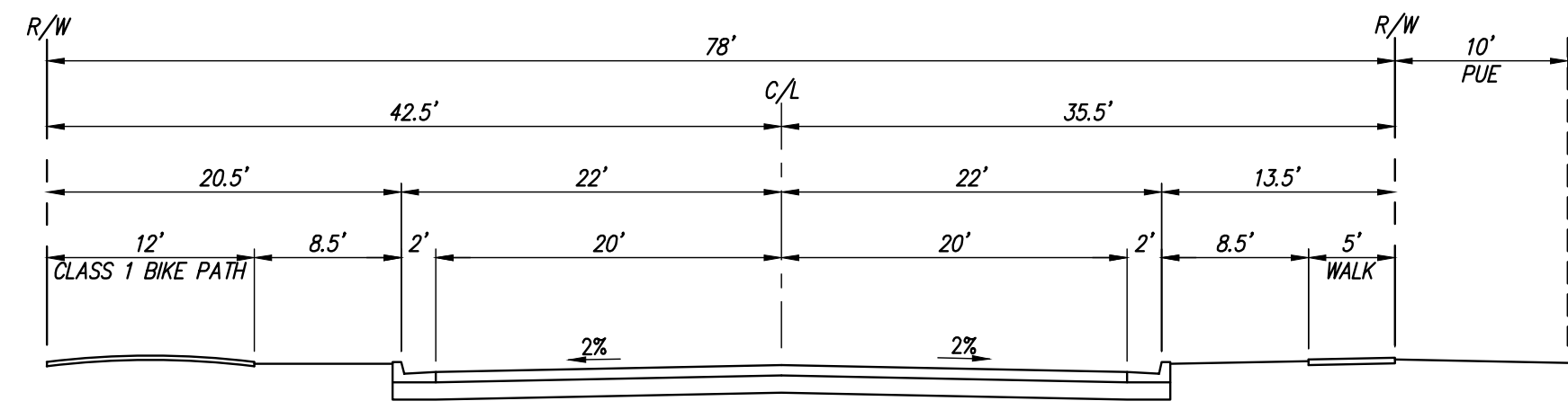
**TOPOGRAPHIC SURVEY**  
**VESTING TENTATIVE SUBDIVISION MAP WITH PHASED FINAL MAPS**  
**TRACT 4154**  
**PACIFIC GATEWAY**  
 SAN JOAQUIN COUNTY, CALIFORNIA

DATE	JANUARY, 2023
SCALE	AS SHOWN
DESIGNER	CR
DRAWN BY	VB
JOB NO.	A21619-8
SHEET	<b>C2.7</b>
OF	21 SHEETS

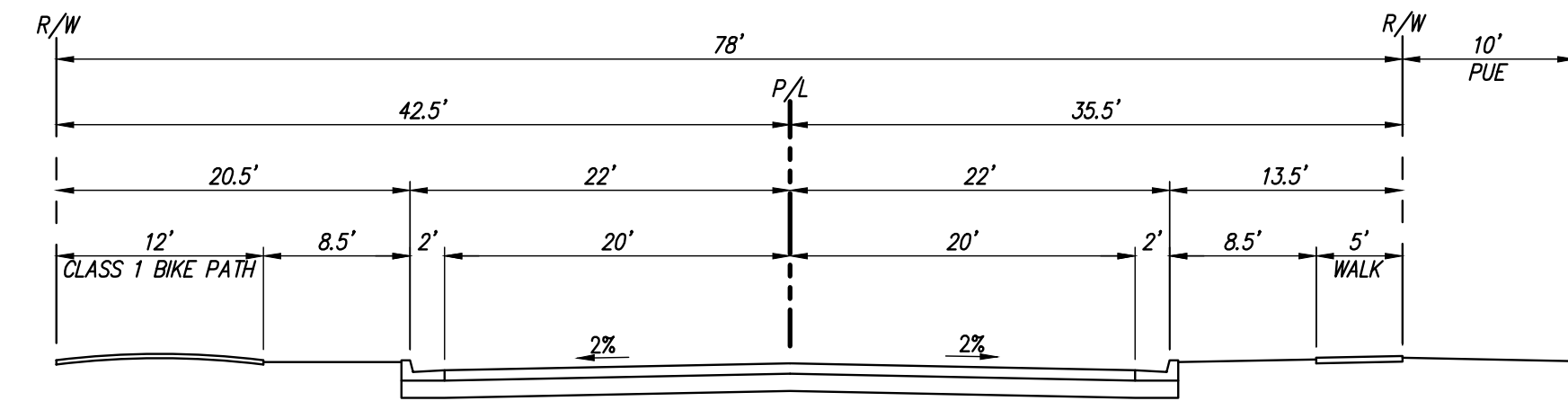
Z:\2023\A21619-8\DWG\SUBDIVISIONS\MASSEE PLAN\A21619-8-MASTER.dwg 1-16-23 10:46:07 AM dburba



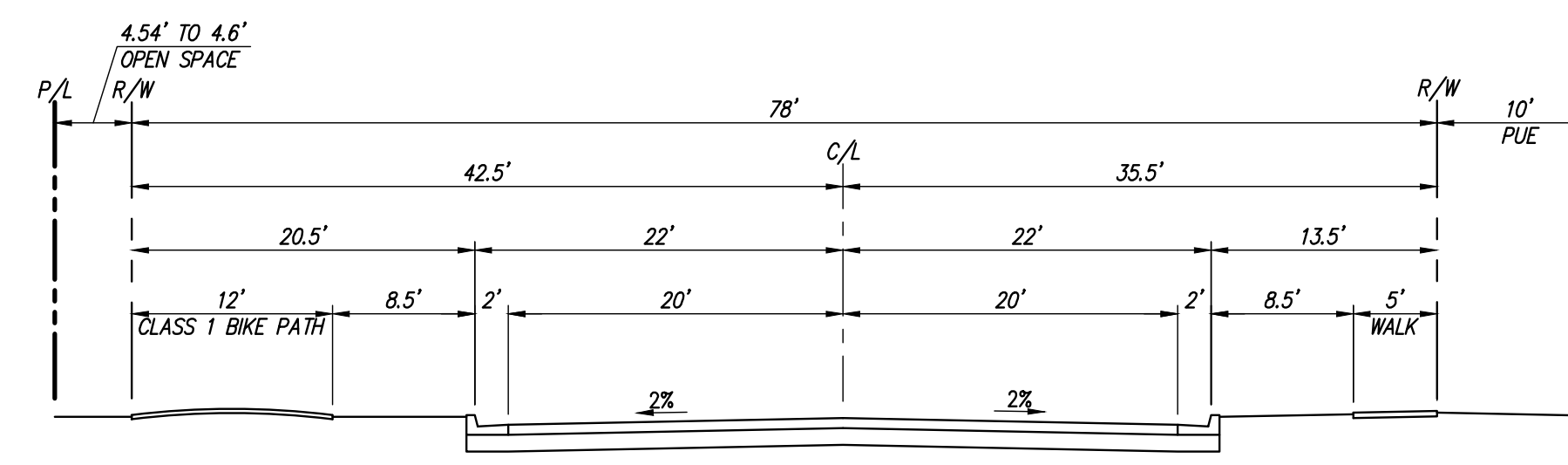




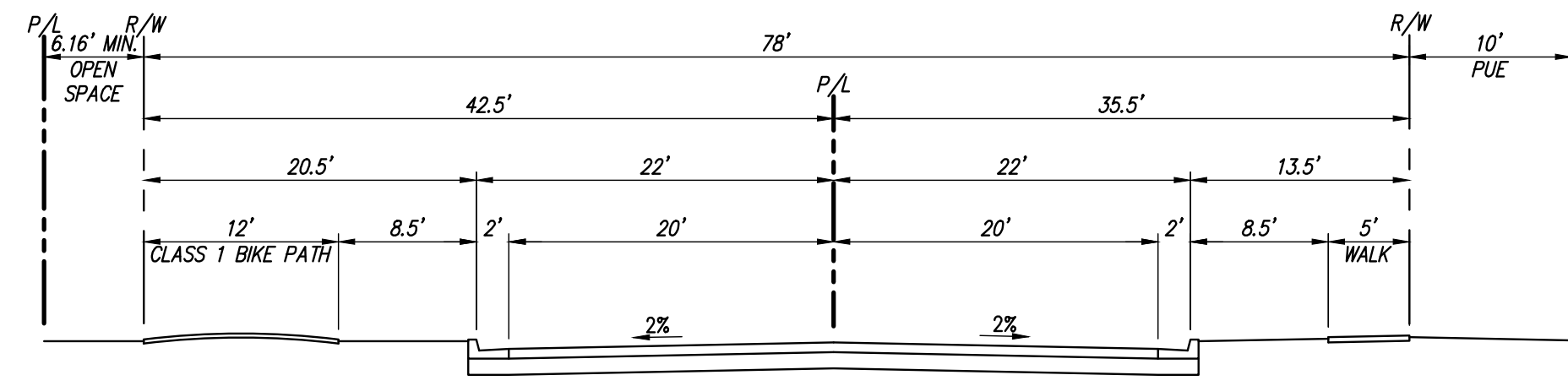
**B STREET**  
(TWO LANE - LOCAL INDUSTRIAL STREET) **B1**  
NOT TO SCALE



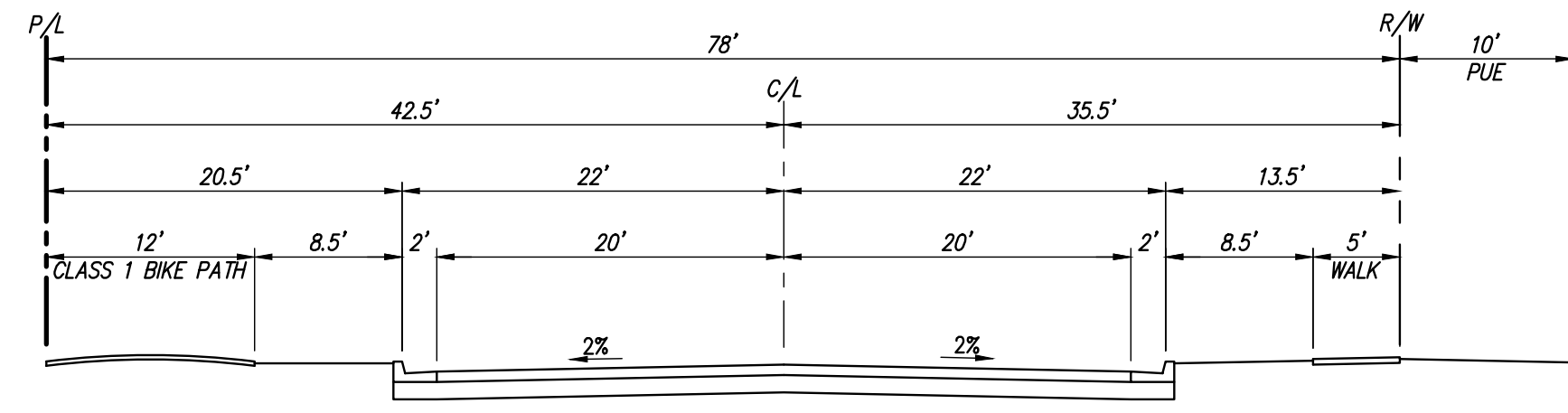
**B STREET**  
(TWO LANE - LOCAL INDUSTRIAL STREET) **B2**  
NOT TO SCALE



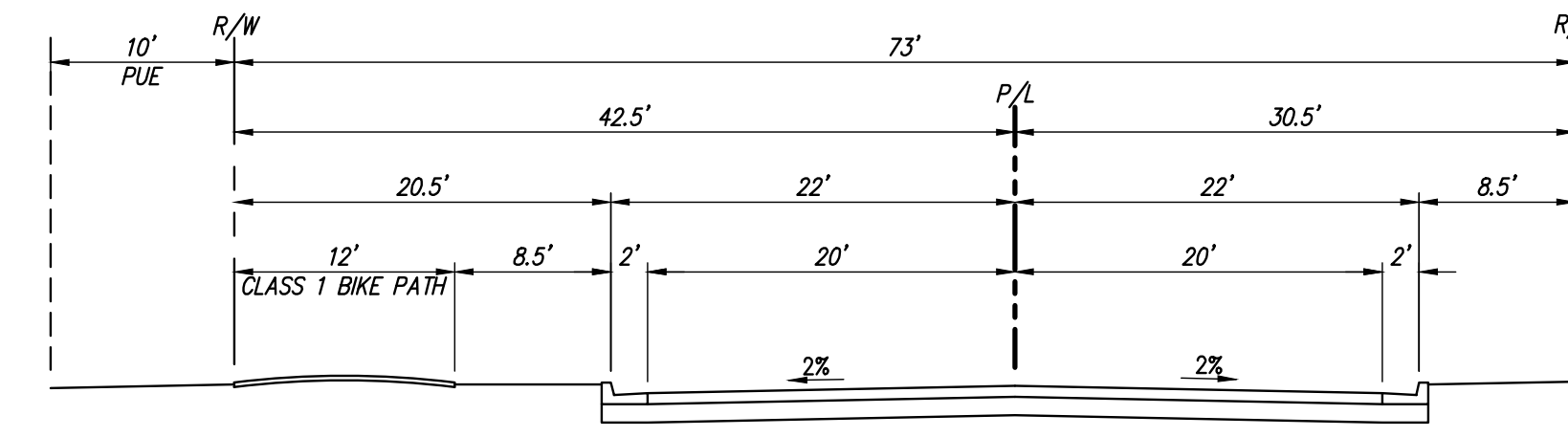
**B STREET**  
(TWO LANE - LOCAL INDUSTRIAL STREET) **B3**  
NOT TO SCALE



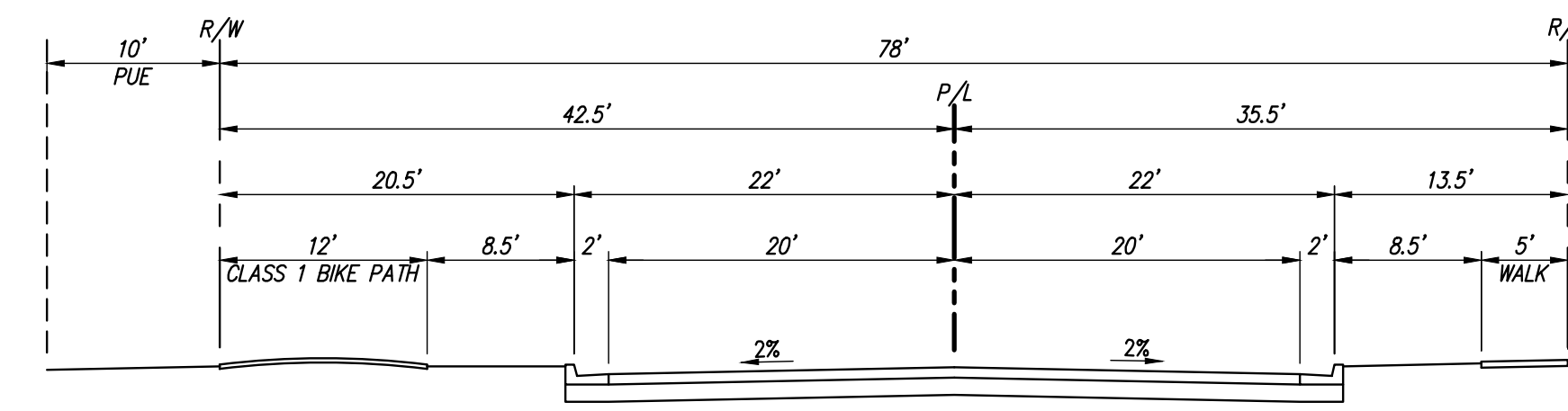
**B STREET**  
(TWO LANE - LOCAL INDUSTRIAL STREET) **B4**  
NOT TO SCALE



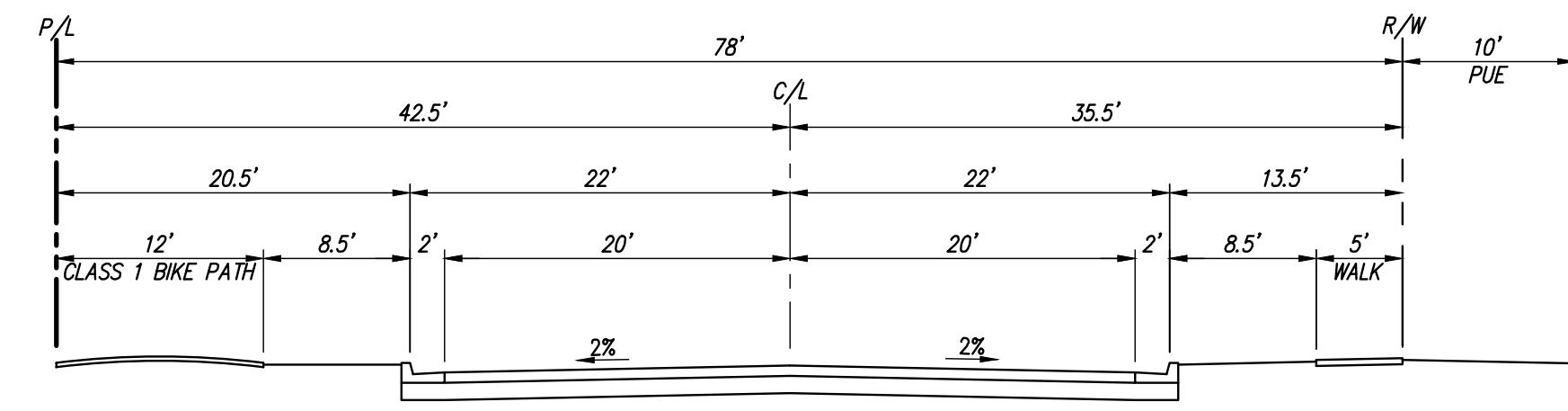
**B STREET**  
(TWO LANE - LOCAL INDUSTRIAL STREET) **B5**  
NOT TO SCALE



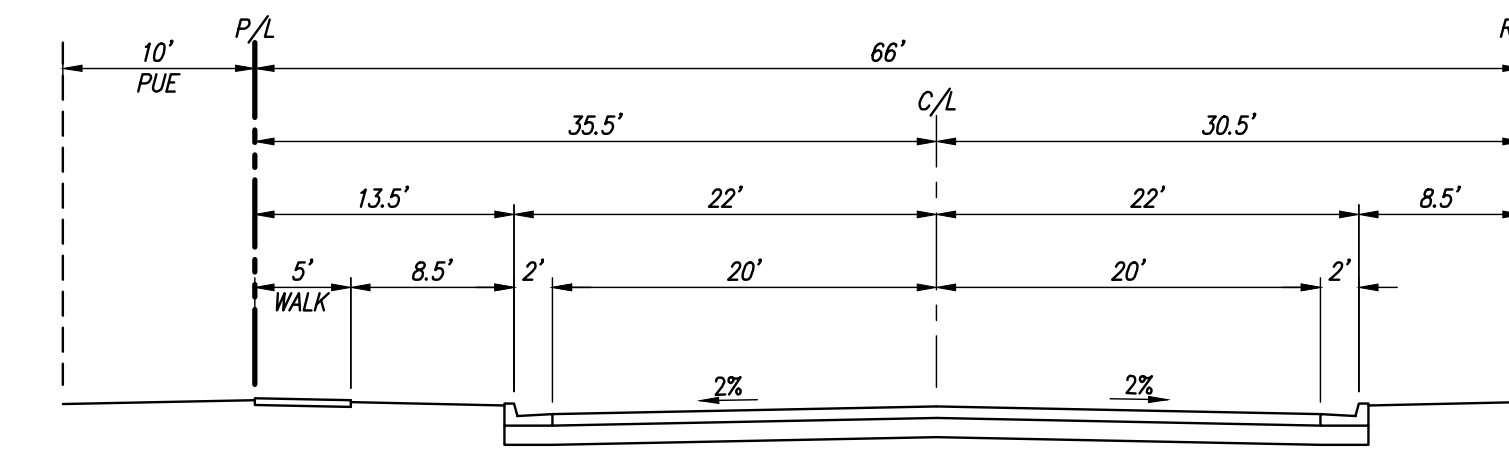
**C STREET**  
(TWO LANE - LOCAL INDUSTRIAL STREET) **C1**  
NOT TO SCALE



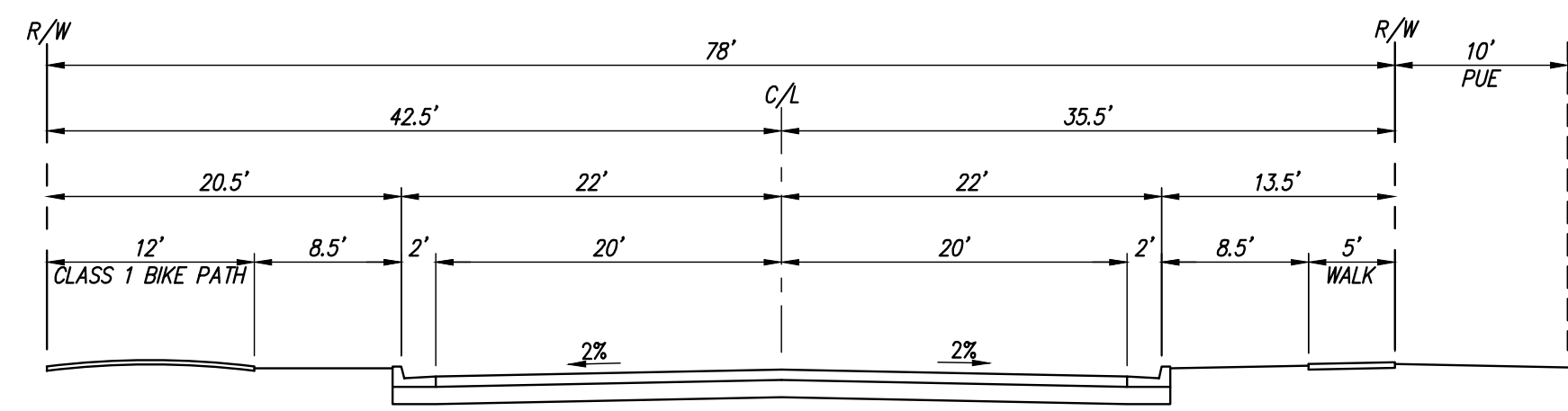
**C STREET**  
(TWO LANE - LOCAL INDUSTRIAL STREET) **C2**  
NOT TO SCALE



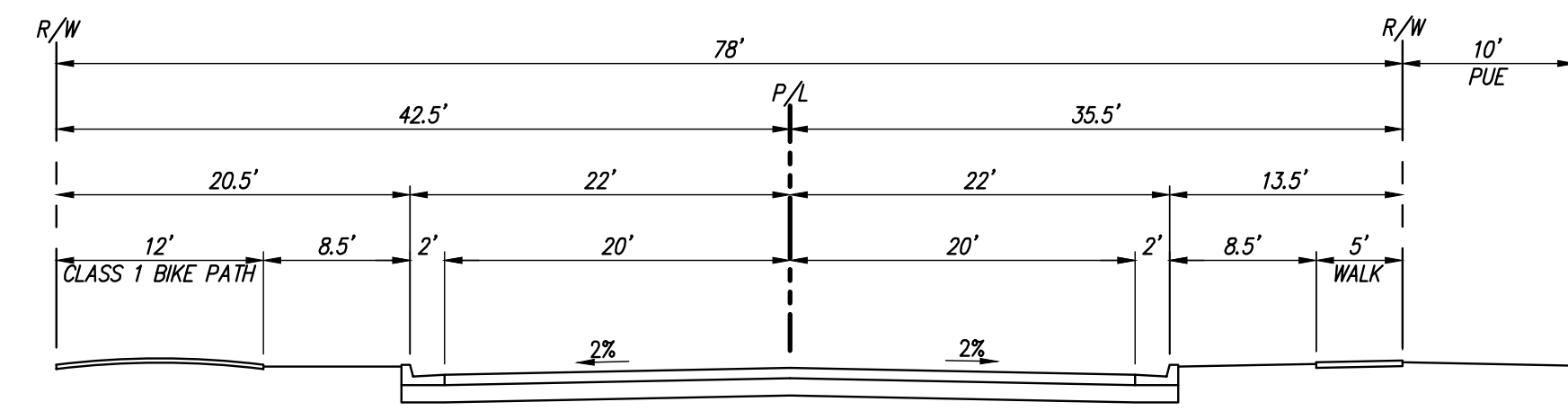
**D STREET**  
(TWO LANE - LOCAL INDUSTRIAL STREET) **D**  
NOT TO SCALE



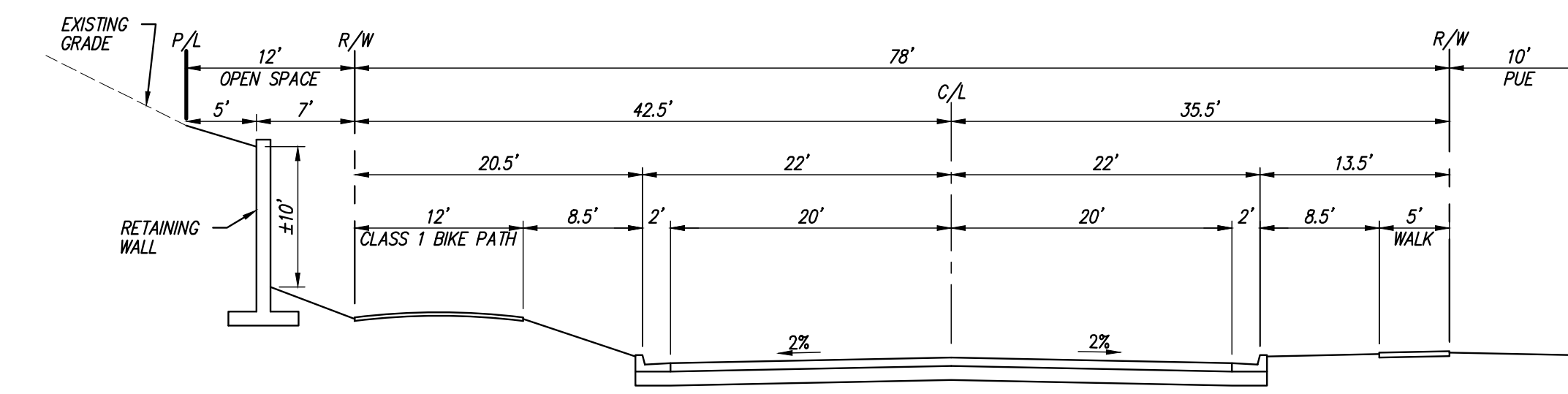
**E STREET**  
(TWO LANE - LOCAL INDUSTRIAL STREET) **E**  
NOT TO SCALE



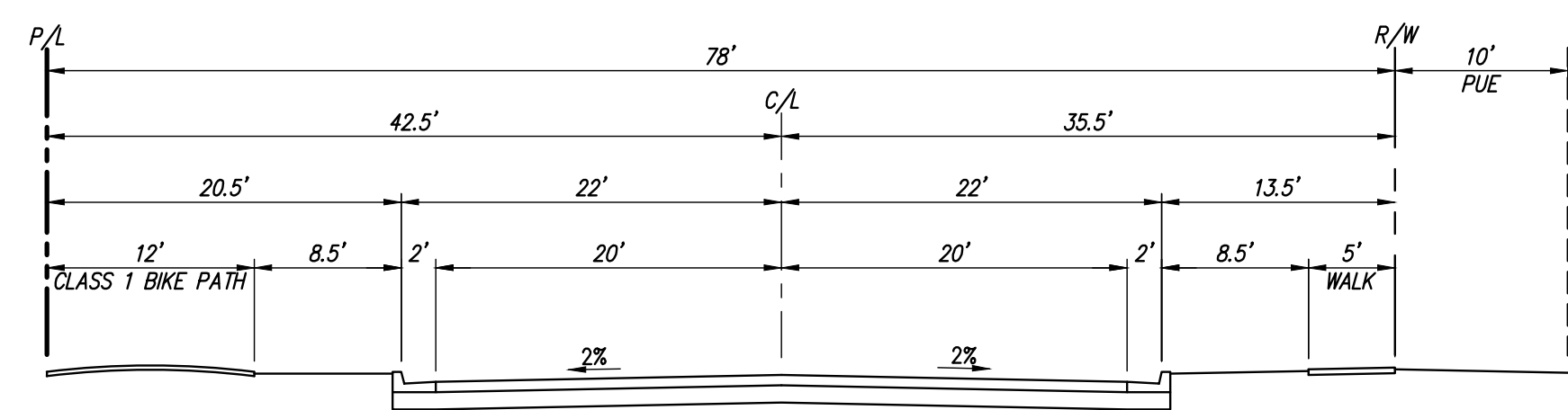
**F STREET**  
(TWO LANE - LOCAL INDUSTRIAL STREET) **F1**  
NOT TO SCALE



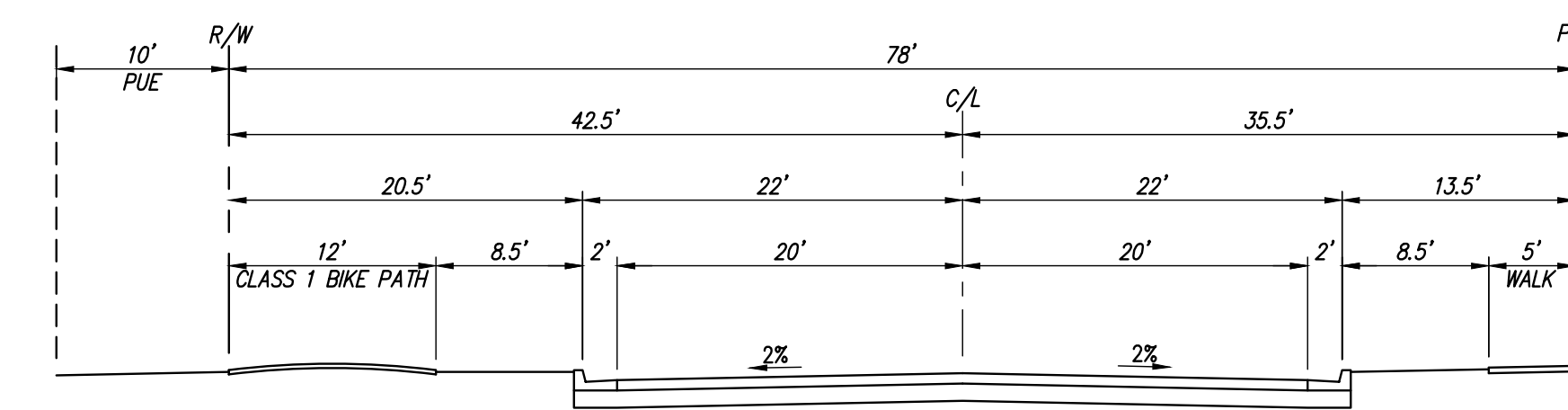
**F STREET**  
(TWO LANE - LOCAL INDUSTRIAL STREET) **F2**  
NOT TO SCALE



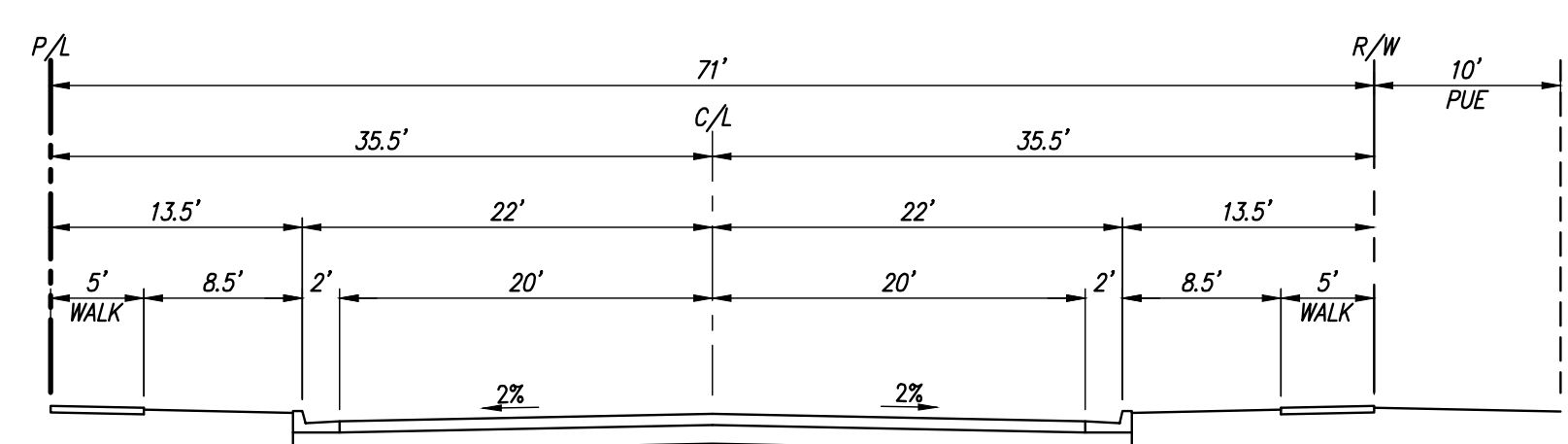
**F STREET**  
(TWO LANE - LOCAL INDUSTRIAL STREET) **F3**  
NOT TO SCALE



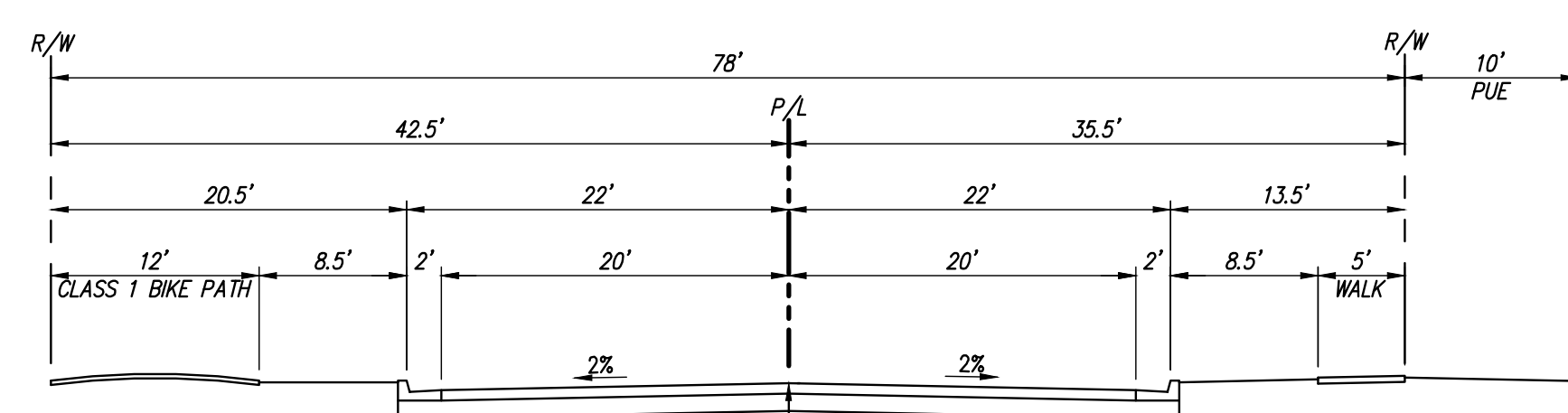
**F STREET**  
(TWO LANE - LOCAL INDUSTRIAL STREET) **F4**  
NOT TO SCALE



**F STREET**  
(TWO LANE - LOCAL INDUSTRIAL STREET) **F5**  
NOT TO SCALE



**G STREET**  
(TWO LANE - LOCAL INDUSTRIAL STREET) **G**  
NOT TO SCALE



**H COURT**  
(TWO LANE - LOCAL INDUSTRIAL STREET) **H**  
NOT TO SCALE

2: V:\2021\421619-10\WORK\DRAWINGS\MASTER PLAN\421619-8-MASTER.dwg 1-16-23 10:40:37 AM

NO.	BY	REVISION

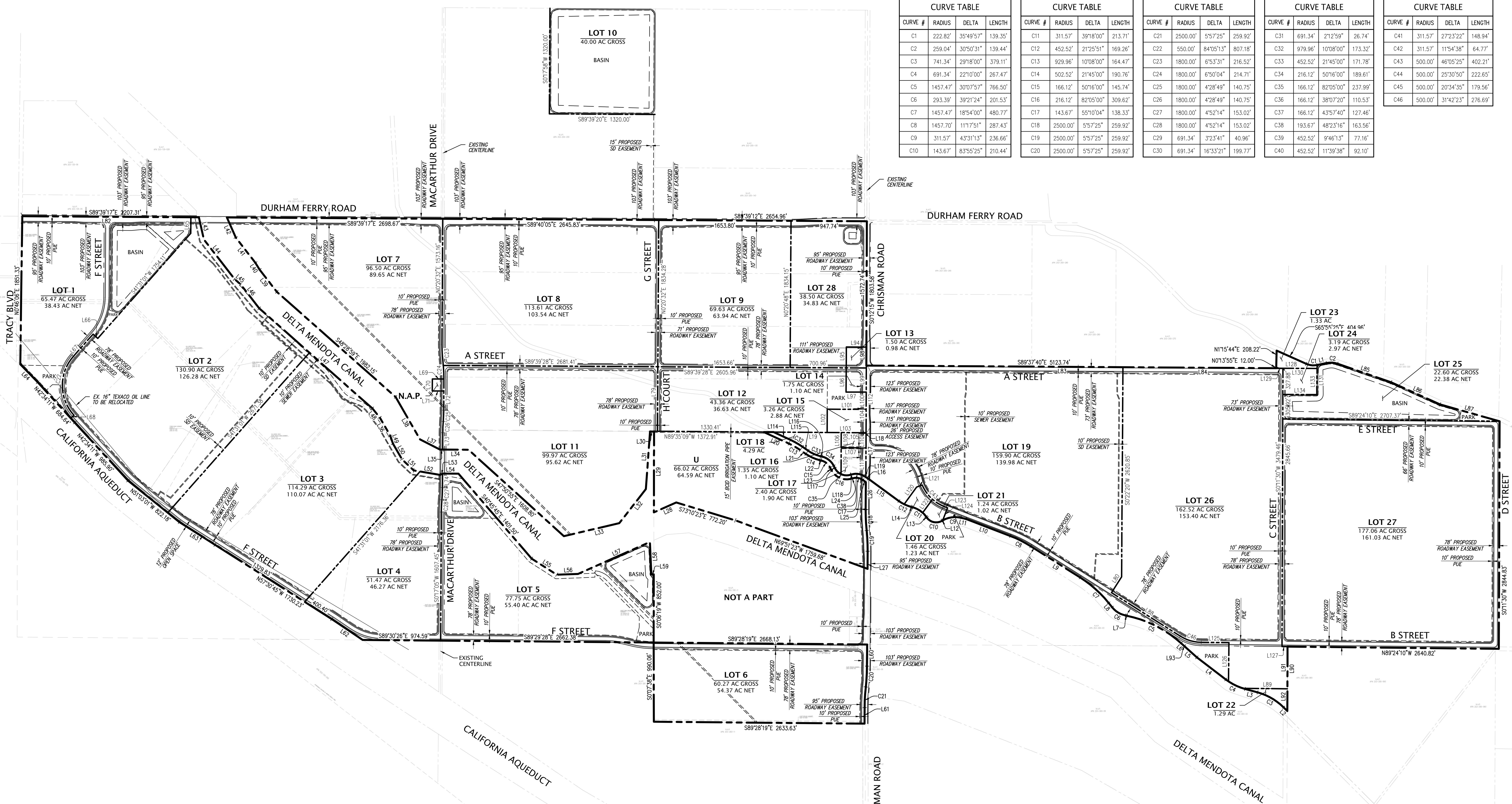
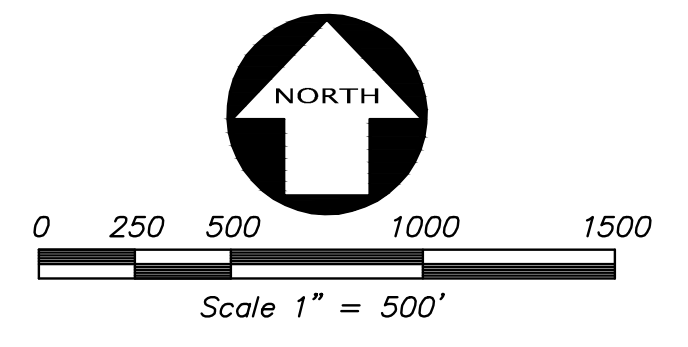


**KIER+WRIGHT**  
REGISTERED PROFESSIONAL ENGINEER  
No. 53447  
CIVIL  
STATE OF CALIFORNIA  
2850 Collier Canyon Road  
Livermore, California 94551  
Phone (925) 245-8788  
www.kierwright.com

**TYPICAL ROADWAY SECTIONS**  
**VESTING TENTATIVE SUBDIVISION MAP WITH PHASED FINAL MAPS**  
**TRACT 4154**  
**PACIFIC GATEWAY**  
SAN JOAQUIN COUNTY, CALIFORNIA

DATE	JANUARY, 2023
SCALE	AS SHOWN
DESIGNER	CR
DRAWN BY	VB
JOB NO.	A21619-8
SHEET	<b>C3.2</b>
OF	21 SHEETS

LINE TABLE			LINE TABLE			LINE TABLE			LINE TABLE			LINE TABLE			LINE TABLE			LINE TABLE			LINE TABLE			LINE TABLE			LINE TABLE			LINE TABLE			LINE TABLE			LINE TABLE																																						
LINE #	DIRECTION	LENGTH	LINE #	DIRECTION	LENGTH	LINE #	DIRECTION	LENGTH	LINE #	DIRECTION	LENGTH	LINE #	DIRECTION	LENGTH	LINE #	DIRECTION	LENGTH	LINE #	DIRECTION	LENGTH	LINE #	DIRECTION	LENGTH	LINE #	DIRECTION	LENGTH	LINE #	DIRECTION	LENGTH	LINE #	DIRECTION	LENGTH	LINE #	DIRECTION	LENGTH	LINE #	DIRECTION	LENGTH																																				
L1	N78°14'35"E	120.54'	L11	N76°24'39"W	67.20'	L21	S55°07'29"E	85.51'	L31	N4°06'05"E	721.80'	L41	S37°46'59"E	400.07'	L51	S46°26'13"E	202.04'	L61	N0°18'26"E	200.00'	L71	S89°42'53"E	143.60'	L81	S51°03'01"E	184.15'	L91	S0°11'30"W	527.01'	L101	S89°47'45"E	486.59'	L111	S0°18'26"W	365.87'	L121	S68°55'48"W	74.29'	L131	S0°35'50"W	370.11'	L141	S0°35'50"W	43.57'	L151	S0°35'50"W	326.54'	L161	N89°48'30"W	424.11'																								
L2	N45°29'11"W	66.61'	L12	S60°04'08"W	11.48'	L22	S76°52'29"E	18.75'	L32	N37°59'05"E	540.10'	L42	S23°51'59"E	273.87'	L52	S80°15'13"E	332.36'	L62	N55°59'59"W	467.27'	L72	S0°17'05"W	390.08'	L82	S89°39'17"E	2107.99'	L92	S0°11'30"W	278.01'	L102	N0°12'15"E	291.16'	L112	S0°12'15"W	840.34'	L122	S36°07'26"W	208.11'	L132	S0°35'50"W	43.57'	L142	N21°00'21"E	168.33'	L152	S89°37'40"E	456.59'	L162	S89°37'40"E	3207.85'	L172	S89°47'45"E	250.47'	L182	N89°35'09"W	280.34'	L192	S89°47'45"E	250.47'	L202	N0°23'43"E	260.74'	L212	N89°47'45"E	252.35'	L222	S0°18'26"W	188.86'	L232	S36°07'26"W	265.27'	L242	N89°37'40"E	426.43'
L3	N74°47'11"W	163.41'	L13	N36°00'25"W	16.20'	L23	S26°36'29"E	33.28'	L33	N76°50'05"E	711.10'	L43	S12°50'59"E	286.01'	L53	S67°45'18"W	43.31'	L63	N57°30'45"W	529.24'	L73	S0°17'05"W	210.65'	L83	S89°37'40"E	3207.85'	L93	N89°42'07"W	0.31'	L103	S89°35'09"E	456.59'	L113	N89°35'09"W	121.37'	L123	N68°59'39"W	38.18'	L133	S0°35'50"W	326.54'	L143	N21°00'21"E	168.33'	L153	S55°07'29"E	85.51'	L163	N89°37'40"E	456.59'	L173	S89°47'45"E	250.47'	L183	N89°35'09"W	280.34'	L193	S89°47'45"E	250.47'	L203	N0°23'43"E	260.74'	L213	N89°47'45"E	252.35'	L223	S0°18'26"W	188.86'	L233	S36°07'26"W	265.27'	L243	N89°37'40"E	426.43'
L4	N52°37'11"W	456.71'	L14	N75°18'25"W	16.40'	L24	N71°18'31"E	3.24'	L34	S89°34'55"E	315.90'	L44	S37°46'59"E	622.71'	L54	S89°29'01"E	192.29'	L64	N44°05'12"W	312.22'	L74	S0°17'05"W	172.58'	L84	S89°37'40"E	1999.68'	L94	S89°47'45"E	250.47'	L104	N0°12'15"E	292.94'	L114	S65°15'29"E	233.12'	L124	N21°00'21"E	168.33'	L134	S0°35'50"W	43.57'	L144	N21°00'21"E	168.33'	L154	S55°07'29"E	85.51'	L164	N89°37'40"E	456.59'	L174	S89°47'45"E	250.47'	L184	N89°35'09"W	280.34'	L194	S89°47'45"E	250.47'	L204	N0°23'43"E	260.74'	L214	N89°47'45"E	252.35'	L224	S0°18'26"W	188.86'	L234	S36°07'26"W	265.27'	L244	N89°37'40"E	426.43'
L5	N47°59'11"W	209.94'	L15	N53°52'34"W	473.84'	L25	S53°31'29"E	43.67'	L35	S89°34'09"E	400.00'	L45	S49°05'59"E	102.02'	L55	S57°22'45"E	372.40'	L65	N0°20'43"E	200.65'	L75	S42°34'11"E	611.01'	L85	S70°54'55"E	709.06'	L95	N0°23'43"E	260.74'	L105	N89°35'09"W	280.34'	L115	S55°07'29"E	85.51'	L125	N89°24'10"W	345.51'	L135	S0°35'50"W	326.54'	L145	N89°24'10"W	345.51'	L155	S55°07'29"E	85.51'	L165	N89°37'40"E	456.59'	L175	S89°47'45"E	250.47'	L185	N89°35'09"W	280.34'	L195	S89°47'45"E	250.47'	L205	N0°23'43"E	260.74'	L215	N89°47'45"E	252.35'	L225	S0°18'26"W	188.86'	L235	S36°07'26"W	265.27'	L245	N89°37'40"E	426.43'
L6	N48°01'13"W	53.20'	L16	S56°49'31"E	35.72'	L26	N0°18'26"E	345.12'	L36	S29°58'59"E	268.05'	L46	S37°46'59"E	379.07'	L56	N87°55'15"E	266.10'	L66	S48°28'59"E	79.00'	L76	S42°34'11"E	73.63'	L86	S65°37'15"E	670.70'	L96	N0°23'43"E	302.26'	L106	N0°18'26"E	519.36'	L116	S76°52'29"E	18.75'	L126	N0°35'50"E	485.01'	L136	N89°48'30"W	424.11'	L146	N21°00'21"E	168.33'	L156	S55°07'29"E	85.51'	L166	N89°37'40"E	456.59'	L176	S89°47'45"E	250.47'	L186	N89°35'09"W	280.34'	L196	S89°47'45"E	250.47'	L206	N0°23'43"E	260.74'	L216	N89°47'45"E	252.35'	L226	S0°18'26"W	188.86'	L236	S36°07'26"W	265.27'	L246	N89°37'40"E	426.43'
L7	N78°09'10"W	19.25'	L17	N0°18'26"E	554.72'	L27	N0°18'26"E	219.84'	L37	S63°12'59"E	278.14'	L47	S48°28'59"E	1888.14'	L57	N66°04'15"E	981.90'	L67	S41°31'01"W	370.31'	L77	S51°03'01"E	638.03'	L87	S74°12'05"E	774.02'	L97	S89°47'45"E	252.35'	L107	N89°41'34"W	310.34'	L117	S26°36'29"E	33.28'	L127	N89°24'10"W	69.58'	L137	S0°35'50"W	326.54'	L147	N89°24'10"W	69.58'	L157	S55°07'29"E	85.51'	L167	N89°37'40"E	456.59'	L177	S89°47'45"E	250.47'	L187	N89°35'09"W	280.34'	L197	S89°47'45"E	250.47'	L207	N0°23'43"E	260.74'	L217	N89°47'45"E	252.35'	L227	S0°18'26"W	188.86'	L237	S36°07'26"W	265.27'	L247	N89°37'40"E	426.43'
L8	N38°47'48"W	68.84'	L18	N89°34'29"W	29.98'	L28	N66°02'37"E	305.20'	L38	S29°58'59"E	615.21'	L48	S39°13'59"E	144.72'	L58	S2°41'45"E	404.40'	L68	S47°25'49"W	54.50'	L78	S0°06'20"W	3.74'	L88	S57°41'48"E	1016.58'	L98	S0°12'15"W	261.35'	L108	S0°18'26"W	189.43'	L118	N71°18'31"E	3.24'	L128	N89°24'10"W	510.22'	L138	S0°35'50"W	326.54'	L148	N89°24'10"W	510.22'	L158	S55°07'29"E	85.51'	L168	N89°37'40"E	456.59'	L178	S89°47'45"E	250.47'	L188	N89°35'09"W	280.34'	L198	S89°47'45"E	250.47'	L208	N0°23'43"E	260.74'	L218	N89°47'45"E	252.35'	L228	S0°18'26"W	188.86'	L238	S36°07'26"W	265.27'	L248	N89°37'40"E	426.43'
L9	N57°41'48"W	730.70'	L19	S89°35'09"E	845.79'	L29	S0°06'20"W	101.465'	L39	S37°46'59"E	351.07'	L49	S18°39'59"E	102.02'	L59	S89°51'45"E	30.00'	L69	N89°42'53"W	144.03'	L79	S0°20'32"W	806.56'	L89	S89°24'10"E	557.00'	L99	S0°12'15"W	301.65'	L109	S0°18'26"W	329.93'	L119	S56°49'31"E	29.76'	L129	N89°37'40"W	83.79'	L139	S0°35'50"W	326.54'	L149	N89°37'40"W	83.79'	L159	S55°07'29"E	85.51'	L169	N89°37'40"E	456.59'	L179	S89°47'45"E	250.47'	L189	N89°35'09"W	280.34'	L199	S89°47'45"E	250.47'	L209	N0°23'43"E	260.74'	L219	N89°47'45"E	252.35'	L229	S0°18'26"W	188.86'	L239	S36°07'26"W	265.27'	L249	N89°37'40"E	426.43'
L10	N68°59'39"W	588.27'	L20	S65°15'29"E	343.71'	L30	S89°51'55"E	50.20'	L40	S32°03'59"E	100.52'	L50	S29°58'59"E	224.94'	L60	S0°18'26"W	270.99'	L70	S0°17'07"W	150.01'	L80	N32°18'12"E	234.25'	L90	S0°11'30"W	805.02'	L100	S0°12'15"W	215.24'	L110	S89°47'45"E	486.59'	L120	N0°12'15"E	291.16'	L130	N89°35'09"W	121.37'	L140	N21°00'21"E	168.33'	L150	S55°07'29"E	85.51'	L160	N89°37'40"E	456.59'	L170	S89°47'45"E	250.47'	L180	N89°35'09"W	280.34'	L190	S89°47'45"E	250.47'	L200	N0°23'43"E	260.74'	L210	N89°47'45"E	252.35'	L220	S0°18'26"W	188.86'	L230	S36°07'26"W	265.27'	L240	N89°37'40"E	426.43'			



CURVE TABLE				CURVE TABLE				CURVE TABLE				CURVE TABLE				CURVE TABLE			
CURVE #	RADIUS	DELTA	LENGTH	CURVE #	RADIUS	DELTA	LENGTH	CURVE #	RADIUS	DELTA	LENGTH	CURVE #	RADIUS	DELTA	LENGTH	CURVE #	RADIUS	DELTA	LENGTH
C1	222.82'	35°49'57"	139.35'	C11	311.57'	39°18'00"	213.71'	C21	2500.00'	5°57'25"	259.92'	C31	691.34'	21°2'59"	26.74'	C41	311.57'	27°23'22"	148.94'
C2	259.04'	30°50'31"	139.44'	C12	452.52'	21°25'51"	169.26'	C22	550.00'	8°40'51"	807.18'	C32	979.96'	10°08'00"	173.32'	C42	311.57'	11°54'38"	64.77'
C3	741.34'	29°18'00"	379.11'	C13	929.96'	10°08'00"	164.47'	C23	1800.00'	6°53'31"	216.52'	C33	452.52'	21°45'00"	171.78'	C43	500.00'	46°05'25"	402.21'
C4	691.34'	22°10'00"	267.47'	C14	502.52'	21°45'00"	190.76'	C24	1800.00'	8°50'04"	214.71'	C34	216.12'	50°16'00"	189.61'	C44	500.00'	25°30'50"	222.65'
C5	1457.47'	30°07'57"	766.50'	C15	166.12'	50°16'00"	145.74'	C25	1800.00'	4°28'49"	140.75'	C35	166.12'	82°05'00"	237.99'	C45	500.00'	20°34'35"	179.56'
C6	293.39'	39°21'24"	201.53'	C16	216.12'	82°05'00"	309.62'	C26	1800.00'	4°28'49"	140.75'	C36	166.12'	38°07'20"	110.53'	C46	500.00'	31°42'23"	276.69'
C7	1457.47'	18°54'00"	480.77'	C17	143.67'	55°10'04"	138.33'	C27	1800.00'	4°52'14"	153.02'	C37	166.12'	43°57'40"	127.46'				
C8	1457.70'	11°17'51"	287.43'	C18	2500.00'	5°57'25"	259.92'	C28	1800.00'	4°52'14"	153.02'	C38	193.67'	48°23'16"	163.56'				
C9	311.57'	43°31'13"	236.66'	C19	2500.00'	5°57'25"	259.92'	C29	691.34'	3°23'41"	40.96'	C39	452.52'	9°46'13"	77.16'				
C10	143.67'	83°55'25"	210.44'	C20	2500.00'	5°57'25"	259.92'	C30	691.34'	16°33'21"	199.77'	C40	452.52'	11°39'38"	92.10'				

PROPOSED PARCEL AND EASEMENT MAP  
 VESTING TENTATIVE SUBDIVISION MAP WITH PHASED FINAL MAPS  
 TRACT 4154  
 PACIFIC GATEWAY

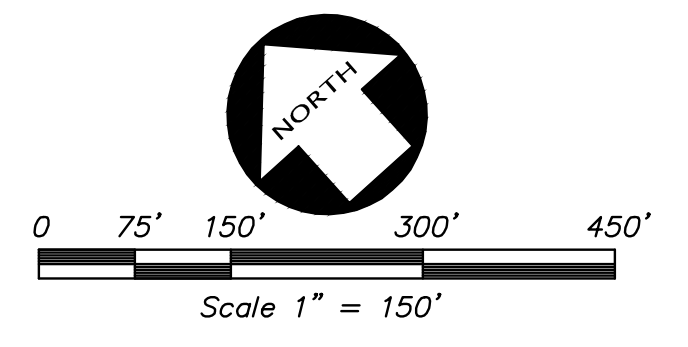
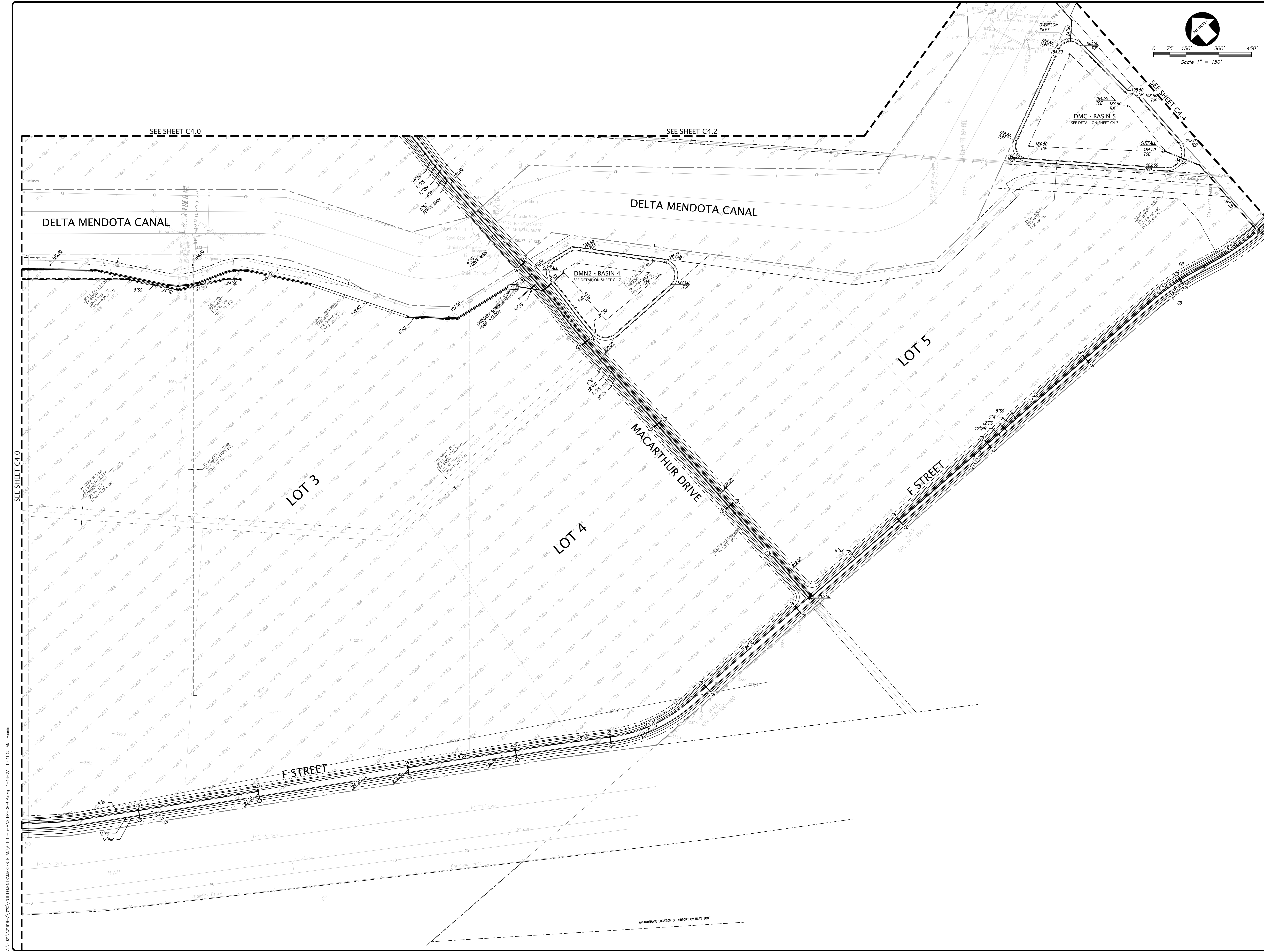
SAN JOAQUIN COUNTY, CALIFORNIA

DATE: JANUARY, 2023  
 SCALE: AS SHOWN  
 DESIGNER: CR  
 DRAWN BY: VB  
 JOB NO.: A21619-8  
 SHEET: C3.3  
 OF: 21 SHEETS

REGISTERED PROFESSIONAL ENGINEER  
 CIVIL  
 No. 53447  
 KIER+WRIGHT  
 2850 Collier Canyon Road  
 Livermore, California 94551  
 Phone: (925) 245-8788  
 www.kierwright.com

Z:\2023\A21619-8\DWG\ENTITLEMENTS\MASTER PLAN\A21619-8-MASTER.dwg 1-16-23 10:40:49 AM





SEE SHEET C4.0

SEE SHEET C4.2

SEE SHEET C4.4

SEE SHEET C4.7

SEE SHEET C4.0

SEE SHEET C4.0

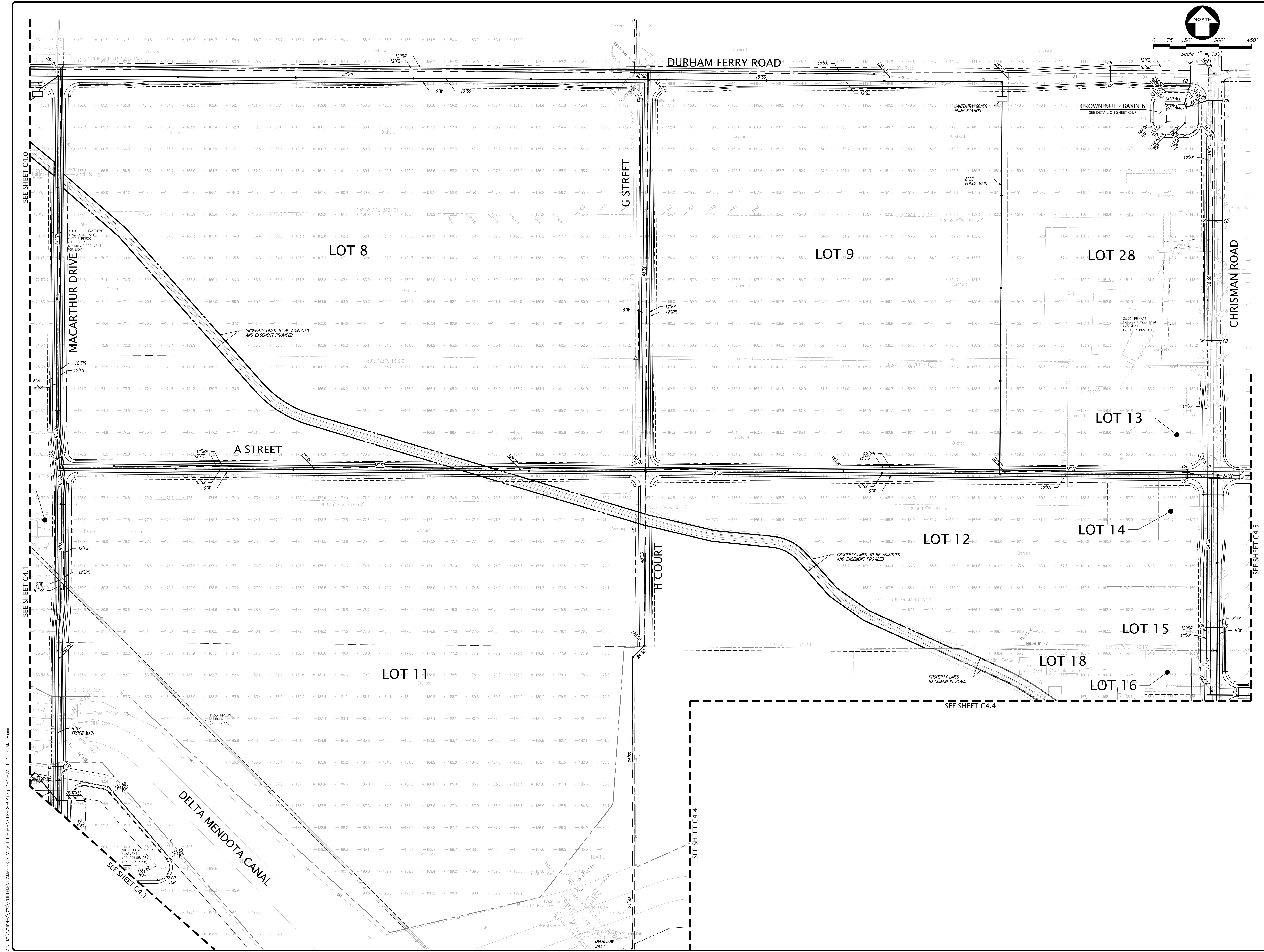
DATE: JANUARY, 2023  
 SCALE: AS SHOWN  
 DESIGNER: CR  
 DRAWN BY: VB  
 JOB NO.: A21619-8  
 SHEET: C4.1  
 OF: 21 SHEETS

REGISTERED PROFESSIONAL ENGINEER  
 COREY R. WRIGHT  
 No. 53447  
 CIVIL  
 STATE OF CALIFORNIA

KIER+WRIGHT  
 2850 Collier Canyon Road  
 Livermore, California 94551  
 Phone: (925) 245-8788  
 www.kierwright.com

GRADING AND UTILITY PLAN  
 VESTING TENTATIVE SUBDIVISION MAP WITH PHASED FINAL MAPS  
 TRACT 4154  
 PACIFIC GATEWAY  
 SAN JOAQUIN COUNTY, CALIFORNIA

NO.	BY	NO.	REVISION



Z:\2020\A21619-30\DWG\ENTITLEMENTS\MASTER PLAN\A21619-3-MASTER-CP-IP.dwg 1-16-23 10:42:10 AM

DATE	JANUARY, 2023
SCALE	AS SHOWN
DESIGNER	CR
DRAWN BY	VB
JOB NO.	A21619-8
SHEET	<b>C4.2</b>
OF	21 SHEETS

NO.	BY	NO.	REVISION

**KIER+WRIGHT**  
 REGISTERED PROFESSIONAL ENGINEER  
 No. 53447  
 CIVIL  
 STATE OF CALIFORNIA

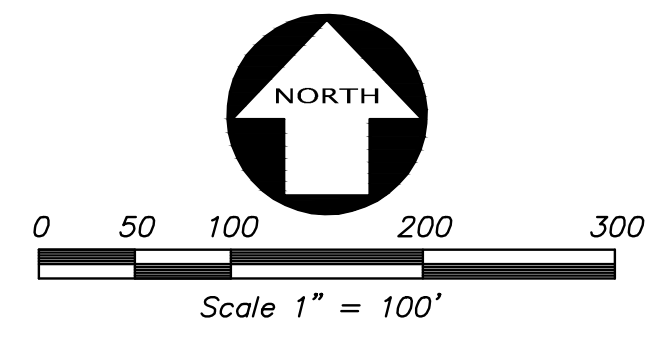
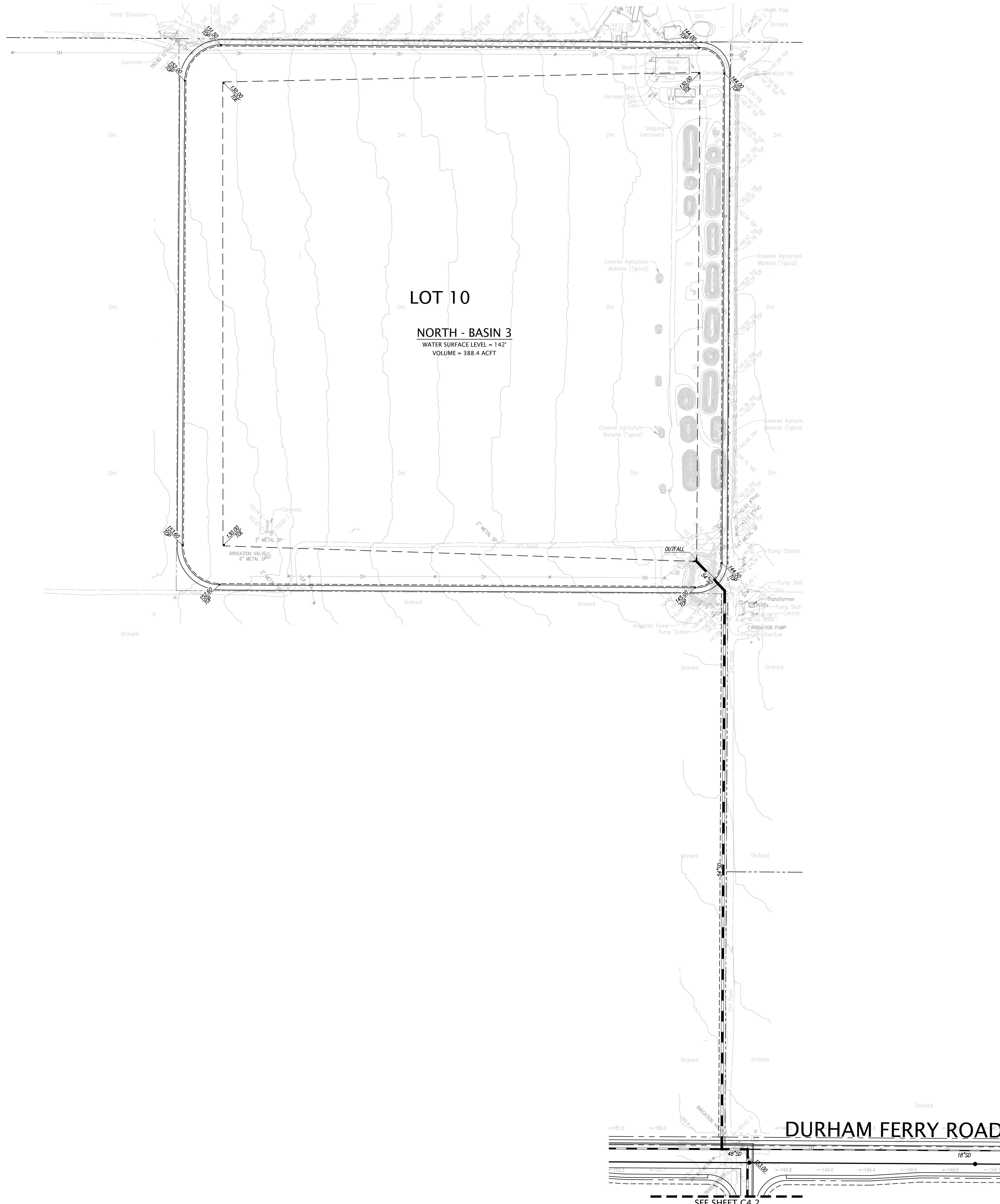
2850 Collier Canyon Road  
 Livermore, California 94551  
 Phone (925) 245-8988  
 www.kierwright.com

**CALIFORNIA**

**SAN JOAQUIN COUNTY.**

**GRADING AND UTILITY PLAN**  
**VESTING TENTATIVE SUBDIVISION MAP WITH PHASED FINAL MAPS**  
**TRACT 4154**  
**PACIFIC GATEWAY**





**LOT 10**  
**NORTH - BASIN 3**  
 WATER SURFACE LEVEL = 142'  
 VOLUME = 388.4 ACFT

**DURHAM FERRY ROAD**

SEE SHEET C4.2

Z:\2023\4154\154-10\DWG\UTILITIES\MASTER PLAN\4154-10-01-IP.dwg 1-16-23 10:42:25 AM dbanda

DATE	JANUARY, 2023
SCALE	AS SHOWN
DESIGNER	CR
DRAWN BY	VB
JOB NO.	A21619-8
SHEET	<b>C4.3</b>
OF	21 SHEETS

BY	NO	REVISION

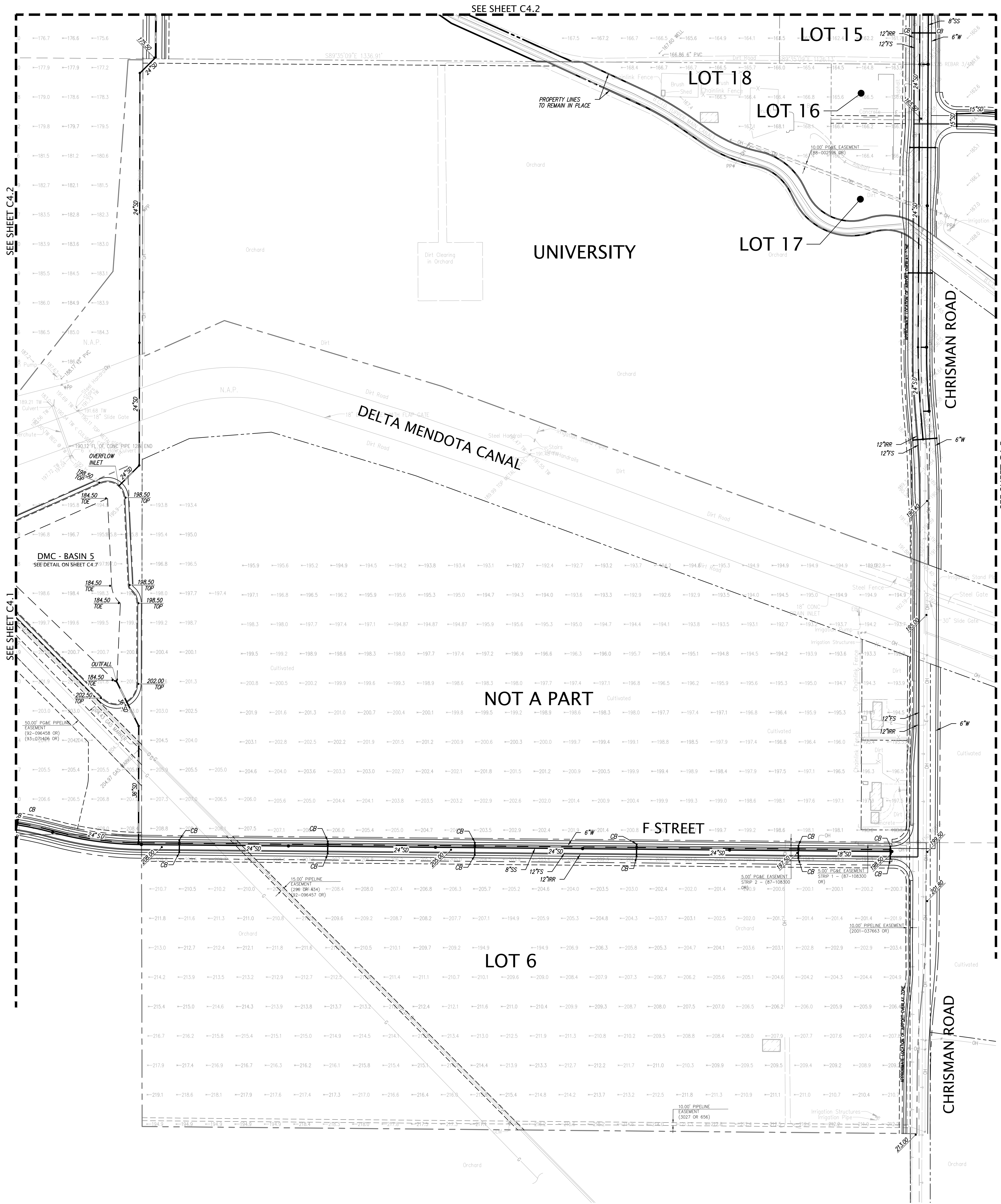
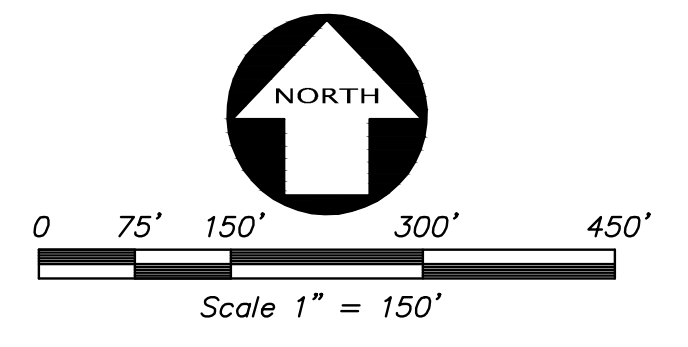
REGISTERED PROFESSIONAL ENGINEER
CORNELIUS R. WICKHAM
No. 53447
CIVIL
STATE OF CALIFORNIA

<b>KIER+WRIGHT</b>	2850 Collier Canyon Road Evermore, California 94551 Phone (925) 245-8788 www.kierwright.com
--------------------	--

<b>GRADING AND UTILITY PLAN</b>	<b>CALIFORNIA</b>
<b>VESTING TENTATIVE SUBDIVISION MAP WITH PHASED FINAL MAPS</b>	
<b>TRACT 4154</b>	
<b>PACIFIC GATEWAY</b>	
<b>SAN JOAQUIN COUNTY,</b>	



NO.	BY	NO.	REVISION



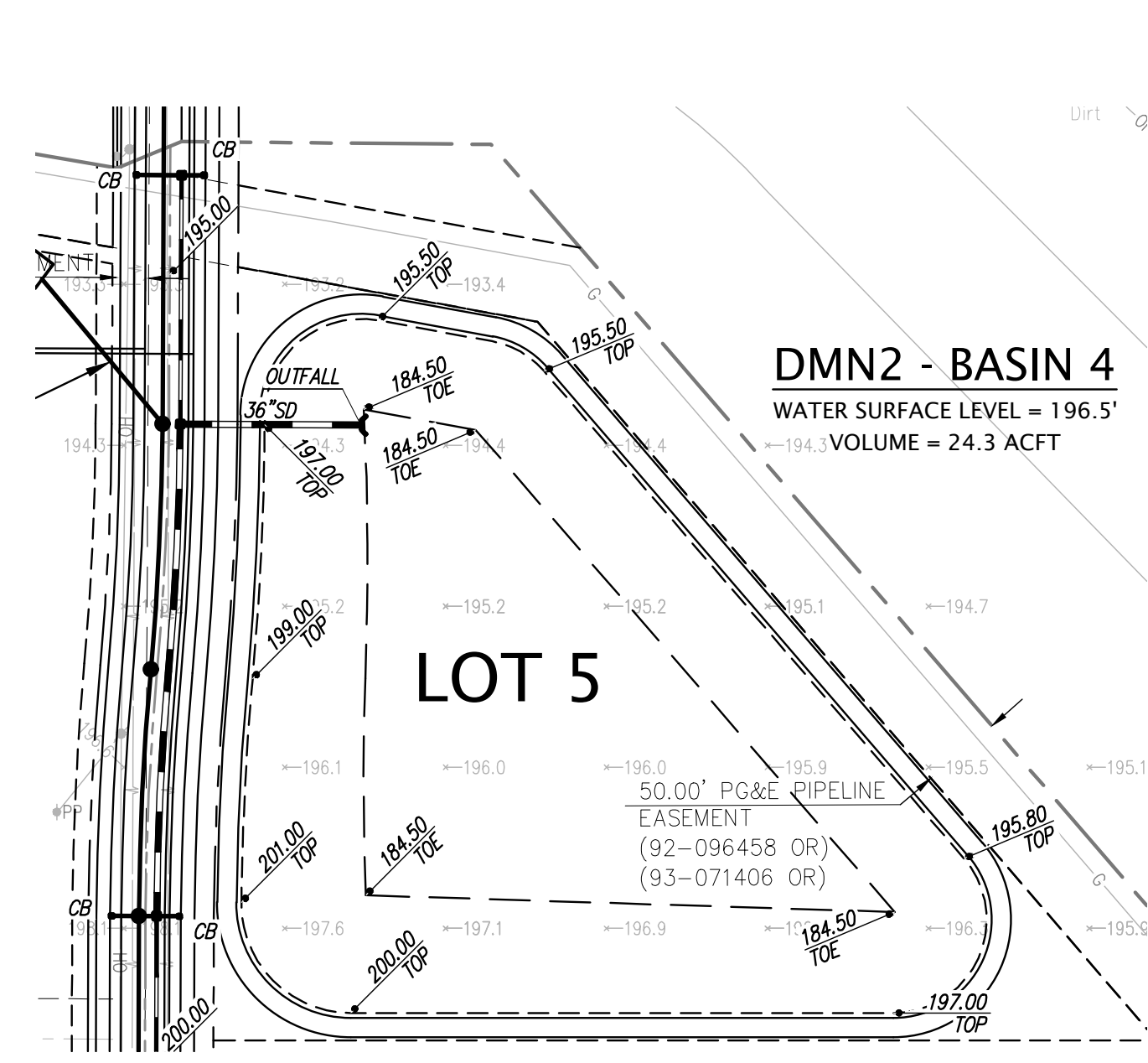
**GRADING AND UTILITY PLAN**  
**VESTING TENTATIVE SUBDIVISION MAP WITH PHASED FINAL MAPS**  
**TRACT 4154**  
**PACIFIC GATEWAY**  
 SAN JOAQUIN COUNTY, CALIFORNIA

DATE	JANUARY, 2023
SCALE	AS SHOWN
DESIGNER	CR
DRAWN BY	VB
JOB NO.	A21619-8
SHEET	<b>C4.4</b>
OF	21 SHEETS

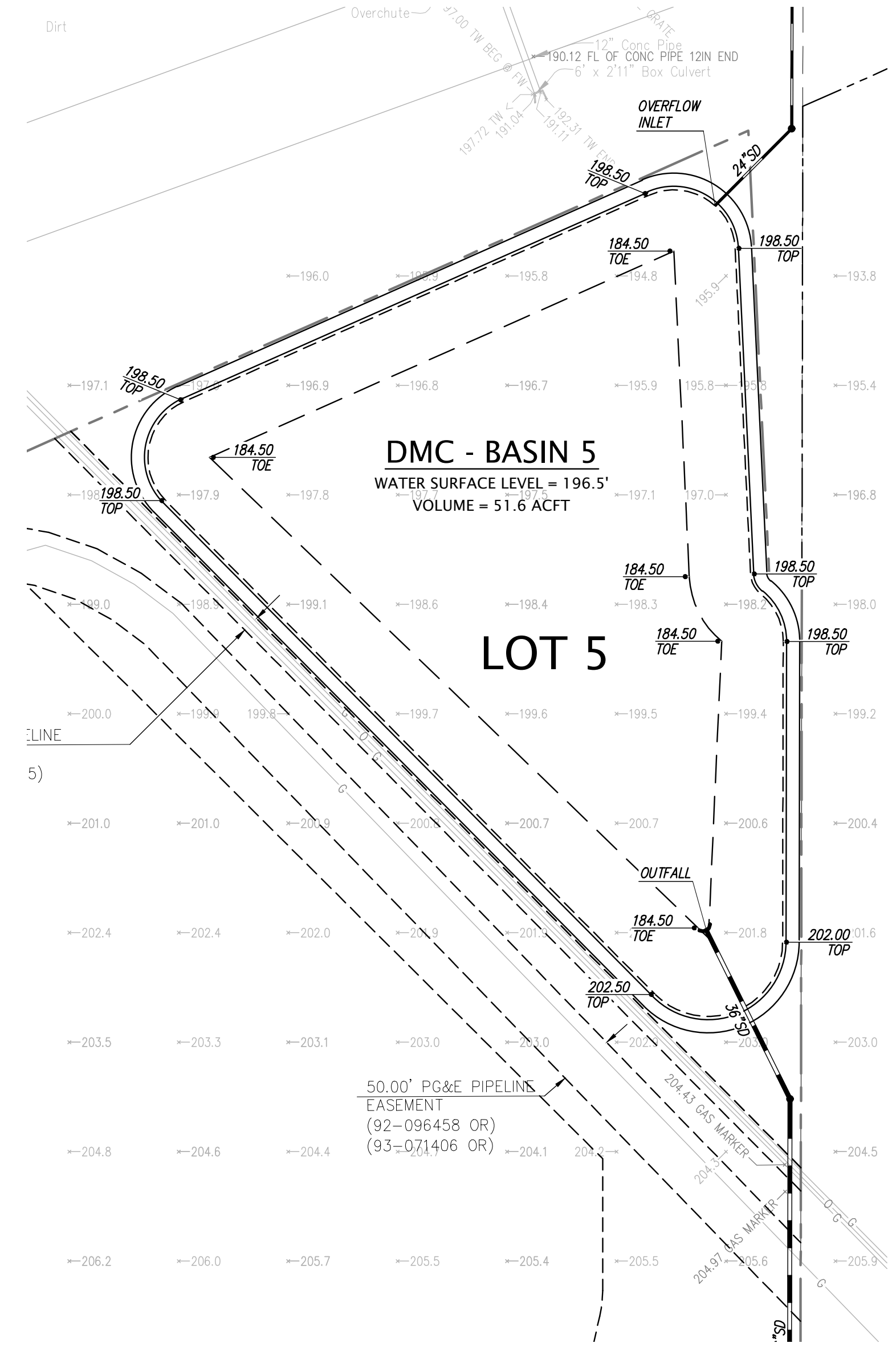
Z:\2023\A21619-8\DWG\UTILITIES\MASSEE PLAN\A21619-8-MASTER-CP-UP.dwg 1-16-23 10:42:40 AM Bauria



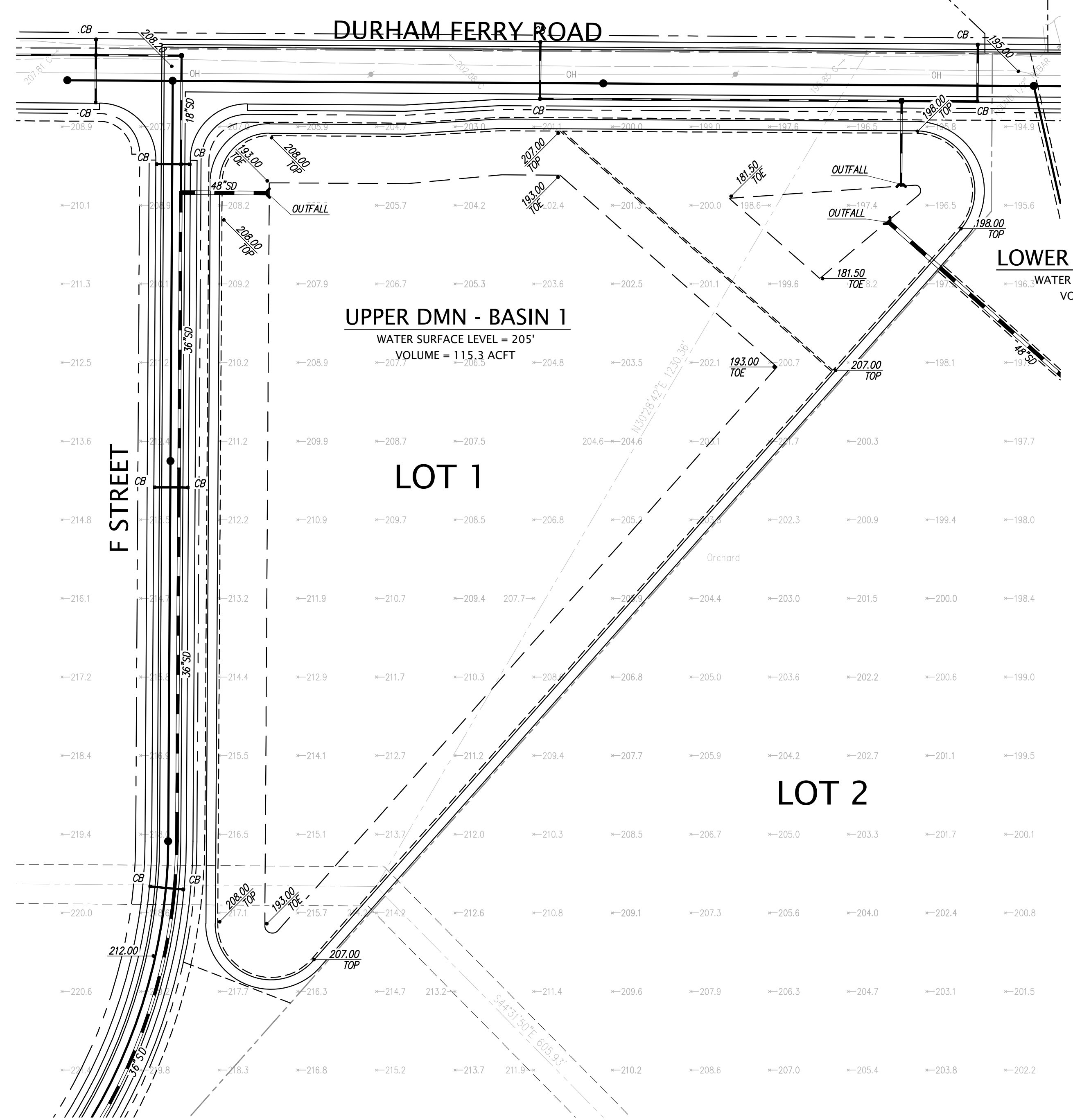




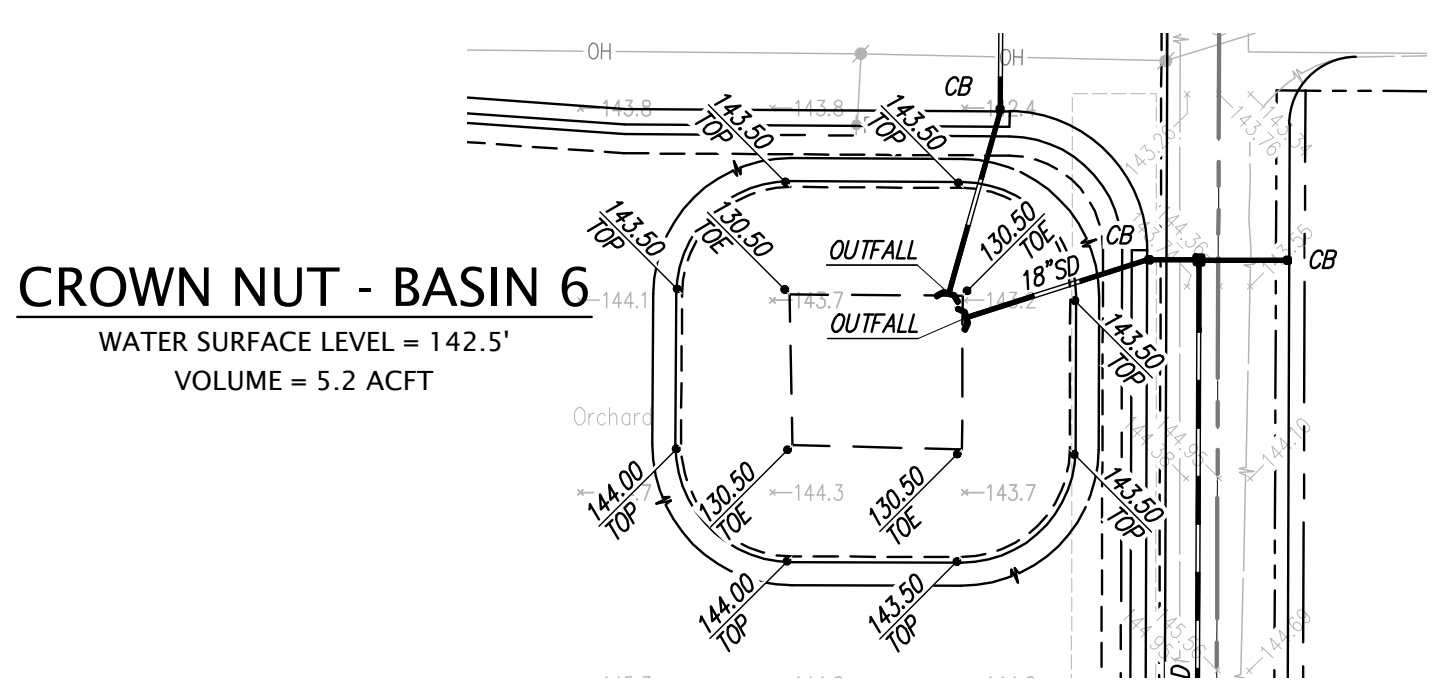
**BASIN 4**



**BASIN 5**

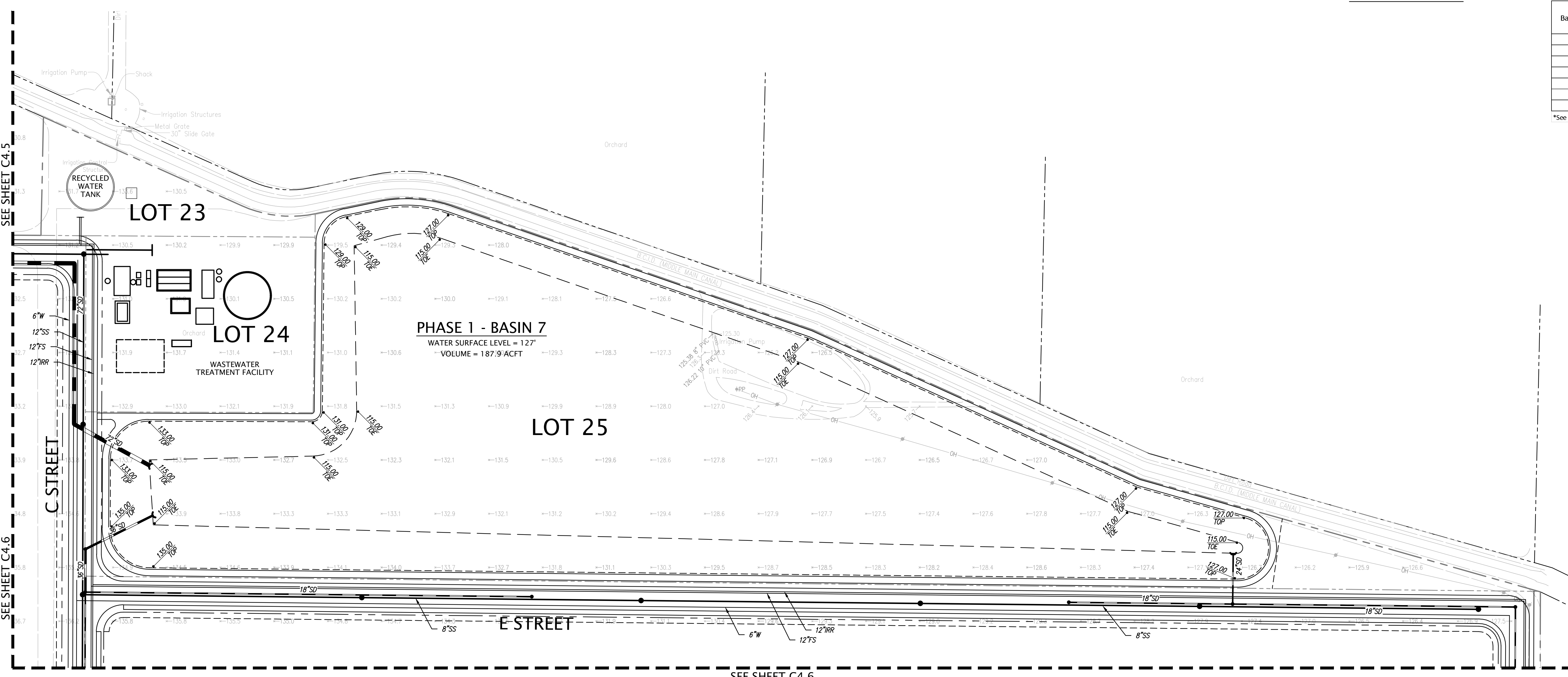


**BASIN 1&2**

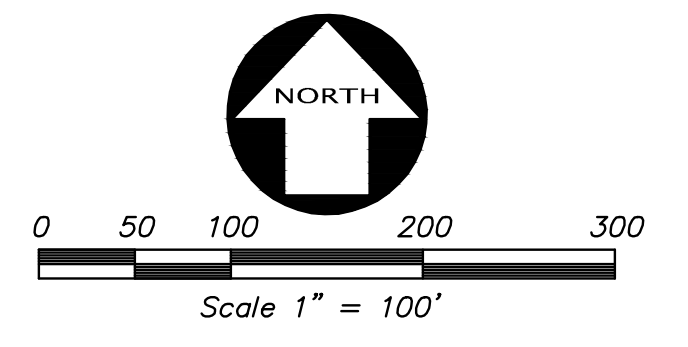


Basin	Area Draining to Basin (acres)	C Value	10-Year 24-hour Storm (Inches)	Factor of Safety	Retention Basin Volume Required (acre-ft)	Retention Basin Volume Provided (acre-ft)
1	263.6	0.85	1.39	2	51.9	115.3
2	15.3	0.85	1.39	2	3.0	8.5
3	477.7	0.85	1.39	2	94.1	388.4
4	122.1	0.85	1.39	2	24.0	24.3
5	99.1	0.85	1.39	2	19.5	51.6
6	40.5	0.85	1.39	2	8.0	5.2
7	530.6	0.85	1.39	2	104.5	187.9

\*See hydrology report by Schaaf and Wheeler for adjusted volume required per site specific percolation rates



**BASIN 7**



NO.	BY	REVISION

**KIER+WRIGHT**  
REGISTERED PROFESSIONAL ENGINEER  
CORBEN R. WHEELER  
No. 53447  
CIVIL  
STATE OF CALIFORNIA

2850 Collier Canyon Road  
Livermore, California 94551  
Phone (925) 245-8788  
www.kierwright.com

**GRADING AND UTILITY PLAN**  
**VESTING TENTATIVE SUBDIVISION MAP WITH PHASED FINAL MAPS**  
**TRACT 4154**  
**PACIFIC GATEWAY**  
SAN JOAQUIN COUNTY, CALIFORNIA

DATE	JANUARY, 2023
SCALE	AS SHOWN
DESIGNER	CR
DRAWN BY	VB
JOB NO.	A21619-8
SHEET	<b>C4.7</b>
OF	21 SHEETS

Z:\2023\A21619-8\DWG\UTILITIES\MASTER PLAN\A21619-8-MASTER-CP-UP.dwg 1-16-23 10:44:00 AM Ubuntu